

DRILLNOX WOOD DF STAINLESS STEEL A2 TH8 Ø 6,5 x L



PRODUCT DEFINITION

- Self-drilling screw Ø 6.5 mm bi-metal.
- Double thread net Ø 7 mm with clean stop to avoid deformation of the outer skin of the sandwich panel.
- Hexagonal head of 8 mm.
- Ø 10.5 mm flange.
- A2 stainless steel.
- Natural or painted head.
- 1.81 mm pitch (BDFN).
- Drill point.
- Can be mounted with a VULCA washer.

APPLICATION

- Roofing: Fastening sandwich panels through the top of corrugation (with saddle washer) on wood frame.
- Cladding: Fastening sandwich panels on wood frame.
- Aggressive environment (off the seafront).
- Drilling capacity (CP): 0.75 to 4x0.75 mm of steel.

MATERIAL & COATING

Material:

- Screw body: Austenitic stainless steel A2 – 1.4301 – AISI 304.
- Drill point and first threads: Treated carbon steel.
- VULCA washer: A2 (VI) stainless steel + EPDM (Ethylene Propylene Diene Monomer).

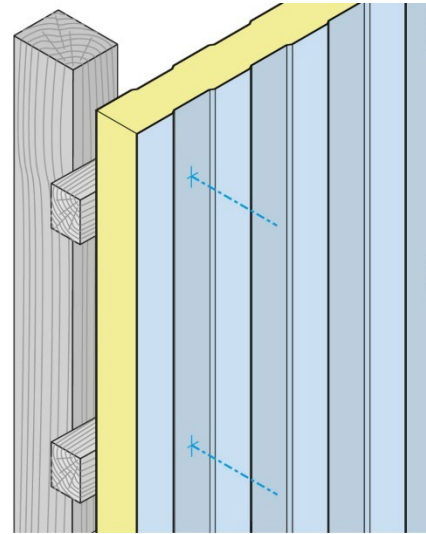
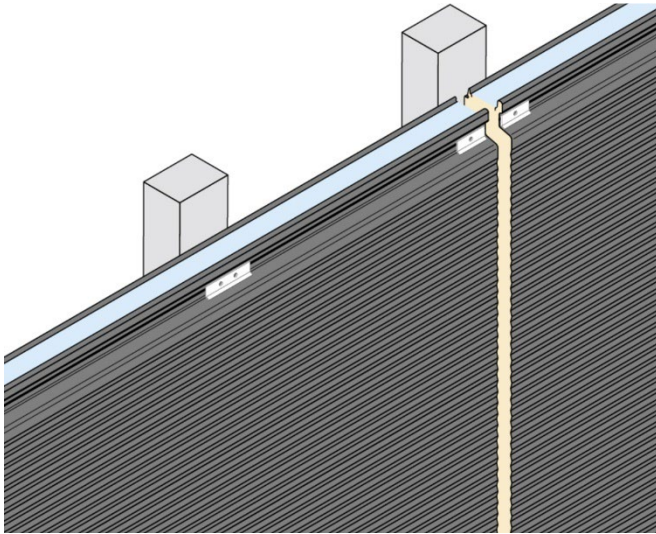
Painting:

- Epoxy, polyester or polyurethane paint (large range of colours available).
- Painting thickness according to TDS n° 4453.
- The colour coating only gives an aesthetic purpose. It does not affect nominal mechanical properties. On case of a coating deterioration, this product keeps its performance and does not derogate from the main function for which it is intended.

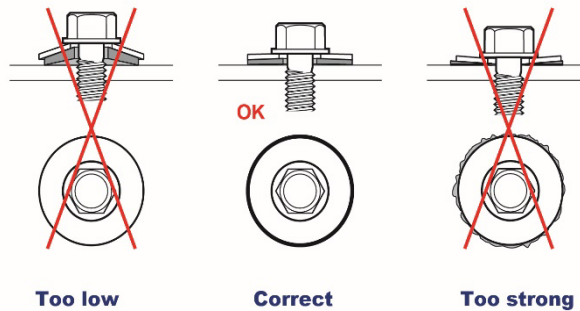
Corrosion resistance:

- Screw Body:
By Kesternich test according to NF EN ISO 22479:
Resist to more 30 cycles without the appearance of red rust.
By salt spray test according to NF EN ISO 9227:
No trace of red rust after 1000 hours.
- Drill point and 1st threads with surface coating:
By salt spray test according to NF EN ISO 9227:
No trace of red rust after 200 hours.

INSTALLATION



- The assembly is done out using a FEIN ASCM 18-4 QM AS screwdriver with torque limiter and depth gauge with an 8 mm hexagonal socket.



Unauthorized machines:

- Nutrunners, impact wrenches, impact drivers are not suitable for assembly work and are strictly forbidden to use.

Recommended tools:

- FEIN ASCM 18-4 QM AS battery-powered screwdriver set + 2 batteries and 1 charger (code: 321 688).
- Depth stop for FEIN ASCM 18-4 QM AS (code: 321 686).
- 3rd Hand Set for TH8 Screws (Code: 320 153).
- 8mm LG 65mm hexagonal socket (Code: 323 500).

Associated Products:

- DRILLNOX WOOD DF STAINLESS STEEL A4 TH8 Ø 6.5 x L (Refer to TDS n° 4004).
- Saddle washer for trapezoidal corrugation (Refer to roofing booklet).
- Saddle washer for Cladding (Refer to cladding booklet).

PERFORMANCE

Mechanical properties of the EPDM of the VULCA washer:

- **Hardness** : 58 ± 5 SHORE A.

Drilling time :

- **Materials tested**: S355 JR structural steel.
- **Tools used**: FEIN ASCM 18-4 QM AS screwdriver with torque limiter and depth gauge.

Drilling test	Unit	Ø 6.5
Drilling Time	dry/mm	< 2
Rotational speed	RPM	2000 *
Axial load	dan	27

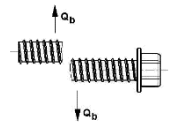
(* Actual under load: 1800 rpm)

Characteristic resistances:

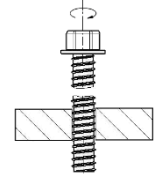
- Characteristic tensile strength: $\bar{x} = 988 \text{ daN}$



- Characteristic shear strength - 0.6 x Rm: $\bar{x} = 592 \text{ daN}$



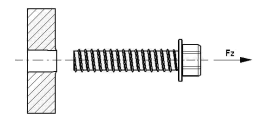
- Characteristic torque strength: $\bar{x} = 12 \text{ Nm}$



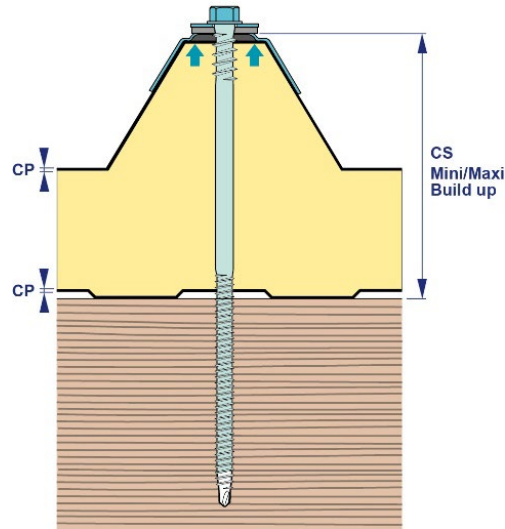
- Pull-out strengths (Pk) in accordance with the NF P 30-310 standard:

Fir Wood Support	Pk to daN
450 kg/m3 - Anchoring 50 mm	502

The values indicated do not include safety factors



DIMENSIONS & CODES



Ø x L (mm)	CP (mm)	CS mini (mm)	CS maxi (mm)	Hex Head	VULCA washer	Cond.	Code Natural	Code Painted
6.5 x 75	0.75 to x 0.75	17	25	8	-	100	374 401*	374 402*
6.5 x 75 + VI14	0.75 to 4x0.75	16	16	8	Ø 14	100	374 404*	-
6.5 x 75 + VI16	0.75 to 4x0.75	16	16	8	Ø 16	100	374 405	-
6.5 x 75 + VI19	0.75 to 4x0.75	15	23	8	Ø 19	100	374 827	-
6.5 x 75 + VI22	0.75 to 4x0.75	15	23	8	Ø 22	100	374 838*	-
6.5 x 100	0.75 to 4x0.75	25	50	8	-	100	374 467*	374 813*
6.5 x 100 + VI16	0.75 to 4x0.75	24	49	8	Ø 16	100	374 814	374 815
6.5 x 100 + VI19	0.75 to 4x0.75	23	48	8	Ø 19	100	374 816	374 817
6.5 x 100 + VI22	0.75 to 4x0.75	23	48	8	Ø 22	100	374 818*	374 819*
6.5 x 122	0.75 to 4x0.75	50	72	8	-	100	374 407*	374 408*
6.5 x 122 + VI16	0.75 to 4x0.75	48	70	8	Ø 16	100	374 409	-
6.5 x 122 + VI22	0.75 to 4x0.75	47	69	8	Ø 22	100	374 412*	374 413*
6.5 x 142	0.75 to 4x0.75	72	92	8	-	100	374 414*	374 415*
6.5 x 142 + VI16	0.75 to 4x0.75	71	91	8	Ø 16	100	374 416	374 417
6.5 x 142 + VI19	0.75 to 4x0.75	70	90	8	Ø 19	100	374 418	374 419
6.5 x 142 + VI22	0.75 to 4x0.75	70	90	8	Ø 22	100	374 843*	374 844*
6.5 x 162	0.75 to 4x0.75	92	112	8	-	100	374 421*	374 422*
6.5 x 162 + VI16	0.75 to 4x0.75	91	111	8	Ø 16	100	374 423	-
6.5 x 162 + VI19	0.75 to 4x0.75	90	110	8	Ø 19	100	374 425	374 426
6.5 x 162 + VI22	0.75 to 4x0.75	90	110	8	Ø 22	100	374 845*	-
6.5 x 177	0.75 to 4x0.75	112	127	8	-	100	374 427*	374 428*
6.5 x 177 + VI16	0.75 to 4x0.75	111	126	8	Ø 16	100	374 430	-
6.5 x 177 + VI19	0.75 to 4x0.75	110	125	8	Ø 19	100	374 432	-
6.5 x 177 + VI22	0.75 to 4x0.75	110	125	8	Ø 22	100	374 847*	374 848*
6.5 x 200	0.75 to 4x0.75	127	150	8	-	100	374 434*	374 435*
6.5 x 200 + VI19	0.75 to 4x0.75	125	148	8	Ø 19	100	374 438	374 439
6.5 x 200 + VI22	0.75 to 4x0.75	125	148	8	Ø 22	100	374 440*	-
6.5 x 220	0.75 to 4x0.75	147	170	8	-	100	374 442*	374 443*
6.5 x 220 + VI19	0.75 to 4x0.75	145	168	8	Ø 19	100	374 448	374 449

* Product not CE marked.

Ø: Nominal diameter - L.: Length - CS_{minimum}: Minimum Build up - CS_{maxi}: Maximum Build up - CP: Drilling capacity - Cond.: Packaging

Registration date: 19/03/2025 - Revision A

LR ETANCO is a member of:



LR ETANCO - Parc les Érables - Bât. 1 - 66 Route de Sartrouville

78231 Le Pecq Cedex France - www.etanco.eu

Tel: 01 34 80 52 00 - commercial.france@etanco.fr

CONFORMITY

- European Technical Assessment n° 25/0616 issued by the DIBT (for screws with washer of Ø 16 to Ø 19 mm) according to European Assessment Document 330046-01-0602.
- According to the NF DTU 40.35: Ribbed plate roofing from coated steel sheets.
- According to the NF DTU 40.36: Cover made of ribbed aluminium sheets, pre-painted or not.
- According to the RAGE Professional Recommendations: CLADDING in sandwich panels with two steel facings and a polyurethane core.
- The characteristic resistances are the result of tests carried out by the LR ETANCO laboratory.
- Reaction to fire: A1 according to NF EN 13501-1 (only for the screw).

MARKING & LABELLING

- On packaging, natural screws: DRILLNOX WOOD DF TH8 A2 - Ø 6.3 x L + CODE.
- On packaging, painted screw: DRILLNOX WOOD DF TH8 A2 - Ø 6.3 x L + COLOUR + CODE.
- On packaging, natural screw with washer: DRILLNOX WOOD DF TH8 A2 - Ø 6.3 x L + VI Ø + CODE.
- On packaging, painted screws with washer: DRILLNOX WOOD DF TH8 A2 - Ø 6.3 x L + VI Ø + COLOUR + CODE.

QUALITY CONTROL

- ISO 9001 certified quality management system according in force certificate.

NOTE

These products are intended for professional installers landlords whose the related service includes supply and installation. In accordance with rules and normative regulation, it's their responsibility to check that the use of these products is in conformity to themselves needs and their customers. They have to insure as well the adequacy of this material with their real operating conditions. The company excludes any guarantee for the use that does not respect these conditions. His responsibility is limited to the strict compliance with the specifications stipulated on the customer's purchase order. The guarantee is limited to the replacement of defective parts acknowledged by the Company's technical service, without workforce costs and travel expenses. It excludes material damage or physical injury and others direct or indirect damages, material or immaterial, which may result from defective parts including installation that not complying with the use for which they are designed and produced.

Registration date: 19/03/2025 - Revision A

LR ETANCO is a member of:



LR ETANCO - Parc les Érables - Bât. 1 - 66 Route de Sartrouville

78231 Le Pecq Cedex France - www.etanco.euTel: 01 34 80 52 00 - commercial.france@etanco.fr