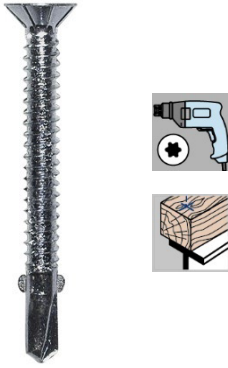


WINGTEKS 3 TF/Tx20 - ZINC-PLATED STEEL - Ø 4.2 x L



PRODUCT DEFINITION

- Self-drilling bi-metal screw Ø 4,2 mm.
- Torx countersunk head Ø 8,1 mm with ribs under head.
- Torx n°20 pattern.
- Pitch 1,41 mm. Drilling point.

APPLICATION

- Fastening for wood element on metallic frames.
- Non-aggressive environment.
- Drilling capacity (CP): 1 to 3 mm of steel.

MATERIAL & FINISH

Material:

- Screws: Treated steel.

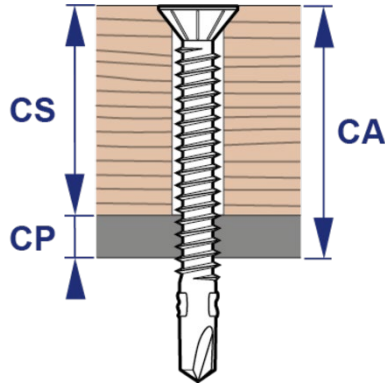
Finish:

- ZN: White zinc plated without chromium VI - Thickness $\geq 5 \mu\text{m}$ according to ISO 4042.

Corrosion resistance:

- Determined Kesternich test according to NF EN ISO 22479:
Resist to 1 cycle without the appearance of red rust.
- Salt spray test according to NF EN ISO 9227:
No trace of red rust after 48 hours.
- Corrosion Guarantee:
No guarantee.

INSTALLATION



CP: Drilling Capacity – CS: Clamping Capacity – CA: Assembly Capacity

- The assembly is done out using a FEIN ASCM 18-4 QM AS screwdriver with torque limiter and depth gauge with a drive bit Torx 20.

Unauthorized machines:

- Nutrunners, impact wrenches, impact screwdrivers are not suitable for assembly work and are strictly forbidden to use.

Recommended tools:

- Screwdriver box FEIN ASCM 18-4 QM AS battery-powered + Starter set with 2 batteries and 1 charger (code: 321 688).
- Depth stop for FEIN ASCM 18-4 QM AS (code: 321 686).
- Magnetic bit holder in Stainless steel (Code: 323 105).
- Drive bit Torx 20 Lg 25mm (Code: 325 090).

Associated Products:

- WINGTEKS 4 TF/Tx25 ZN Ø 4,8xL (Refer to TDS no. 4541).
- WINGTEKS 5 TF/Tx25 ZN Ø 5,5xL (Refer to TDS no. 4543).
- WINGTEKS 6 TF/Tx30 ZN Ø 6,3xL (Refer to TDS no. 4147).
- WINGTEKS 10 TF/Tx30 ZN Ø 6,3xL (Refer to TDS no. 4148).
- SUPER WINGTEKS 12,5 TF/Star30 2C Ø 6,3xL (Refer to TDS no. 4146).

PERFORMANCES

Drilling time:

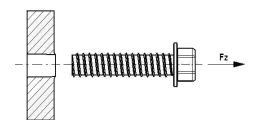
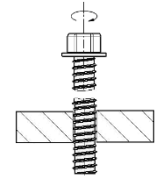
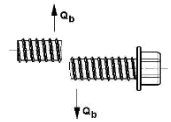
- Tested materials: Building steel S355 JR.
- Used tools: Screwdriver FEIN ASCM 18-4 QM AS with torque limiter and depth stop.

Drilling test	Unit	Ø 4,2
Drilling Time	s/mm	< 2
Rotation speed	RPM	2000 ¹
Axial load	dan	16

¹ Real under load: 1800 rpm

Characteristic resistances:

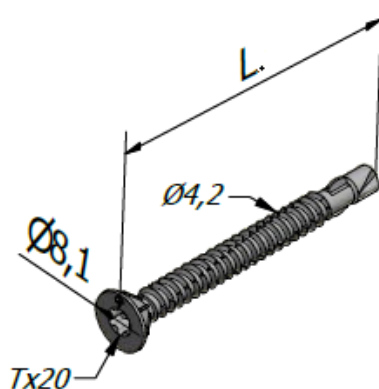
- Characteristic tensile Strength: $\bar{x} = 627 \text{ daN}$
- Characteristic shear strength - $0.6 \times R_m$: $\bar{x} = 376 \text{ daN}$
- Characteristic torsion strength: $\bar{x} = 6 \text{ Nm}$
- Pure tensile strength (Pk) according to NF P 30-310.



Support Thickness (mm)	daN
S320 - 1 mm	130
S320 - 1.5 mm	195
S320 - 2 mm	315
S280 - 2.5 mm	372
S235 - 3 mm	628

The indicated values don't include the safety factors and are indicative

DIMENSIONS & CODES



Ø x L. (mm)	CP (mm)	CS mini (mm)	CA maxi (mm)	Pattern	Cond.	Code
4.2 x 25	1 to 3	-	10	Torx 20	500	288 325
4.2 x 35	1 to 3	-	20	Torx 20	500	288 335
4.2 x 45	1 to 3	-	30	Torx 20	500	288 345

Ø : Nominal diameter - L : Length - CS_{mini}: Minimum clamping capacity - CA_{maxi} : Maximum assembly capacity - CP : Drilling capacity - Cond. : Packaging

CONFORMITY

- The characteristic resistances are the result of tests carried out by the LR ETANCO laboratory.
- Reaction to fire: A1 according to NF EN 13501-1.

MARKING & LABELLING

- On packaging: WINGTEKS 3 TF/Tx20 ZN - Ø 4.2 x L + CODE.

QUALITY CONTROL

- ISO 9001 certified quality management system according to the certificate in force.

NOTE

These products are intended for professional installers landlords whose the related service includes supply and installation. In accordance with rules and normative regulation, it's their responsibility to check that the use of these products is in conformity to themselves needs and their customers. They have to insure as well the adequacy of this material with their real operating conditions. The company excludes any guarantee for the use that does not respect these conditions. His responsibility is limited to the strict compliance with the specifications stipulated on the customer's purchase order. The guarantee is limited to the replacement of defective parts acknowledged by the Company's technical service, without workforce costs and travel expenses. It excludes material damage or physical injury and others direct or indirect damages, material or immaterial, which may result from defective parts including installation that not complying with the use for which they are designed and produced.

Registration date: 26/08/2025 - Revision B

LR ETANCO is associate member of:



ETANCO - Parc les Érables - Bât. 1 - 66 Route de Sartrouville
78231 Le Pecq Cedex France - www.etanco.eu
Tel: 01 34 80 52 00 - commercial.france@etanco.fr