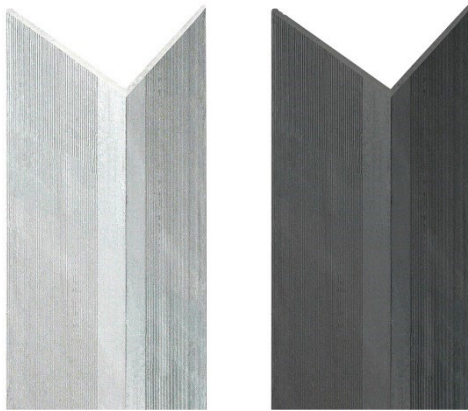


ALUMINIUM PROFILE - FAÇALU L



PRODUCT DEFINITION

- L shaped aluminium profile (extruded aluminium) with longitudinal chequering that stops any film of water building up between the outer skin and the aluminium structure.

APPLICATION

- Vertical or horizontal primary framework, with or without insulation, in new construction or renovation.
- Visible fastening of facade panels (handrail and side stop) or invisible fastening (secondary framework).

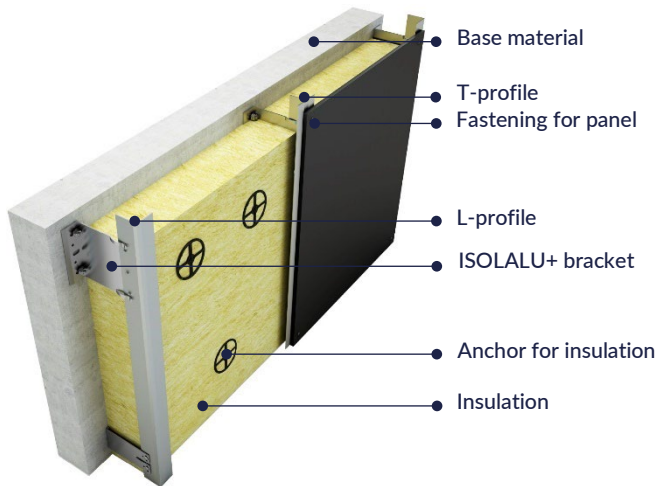
MATERIAL & COATING

Material :

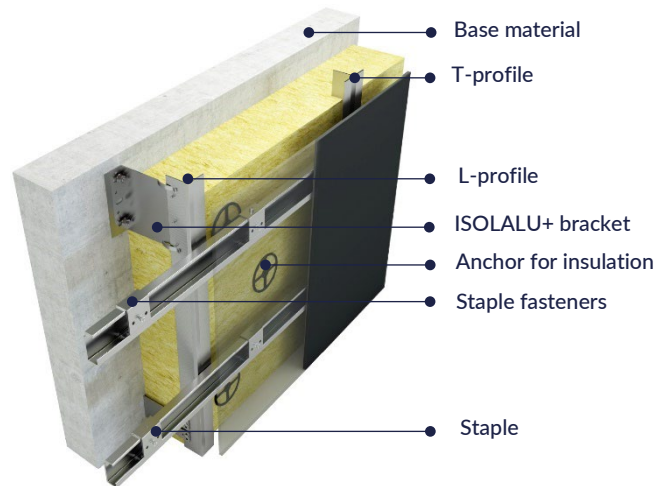
- Aluminium alloy EN-AW 6063 T66.
Minimum characteristics: Rm = 245 MPa – Rp0.2 = 200 MPa – HBS 80.

INSTALLATION

Single network aluminum framework system



Double network aluminum framework system



Associated products:

- ISOLALU+ LR80 – LR150 – LR160 bracket (refer to FT 4341)
- THERMOSTOP wedge for ISOLALU+ bracket (refer to FT 4385 – 4386 – 4387 – 4388)
- Aluminium Profile FAÇALU T (refer to FT 4470)
- Aluminium Profile FAÇALU TUBE (refer to FT 4491)
- OMEGA FAÇALU Aluminium Profile (refer to FT 4479)
- PERFIX 3 TH8 Stainless Steel A2 Ø5.5x25 mm (refer to FT 4042)
- RIVCOLOR Alu/Stainless Steel A2 Rivet Non-Waterproof CL14 Ø5x12 mm ⁽¹⁾ (refer to FT 2318)

(1) Subject to compliance of the technical opinion.

Registration date: 12/09/2023 – Revision C

LR ETANCO is a member of:



LR ETANCO - Parc les Érables - Bât. 1 - 66 Route de Sartrouville
78231 Le Pecq Cedex France - www.etanco.eu

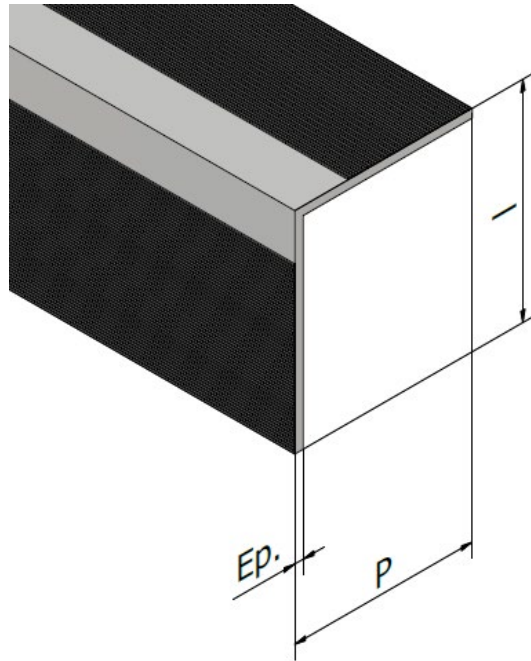
Tel: +33 (0)1 34 80 52 00 – commercial.france@etanco.fr

PERFORMANCE

L. (mm)	P. (mm)	Ep. (mm)	Inertia I in mm ⁴	Modulus of elasticity E in N/mm ²	Maximum permissible stress σ_{max} in N/mm ²	Flexural modulus I/V in mm ³
50	42	2	46 460	70 000	200	1 302
50	42	2,5	57 211	70 000	200	1 612
50	50	3	71 493	70 000	200	1 964

L.: Length - P.: Depth - Ep.: Thickness

DIMENSIONS & CODES



Width (mm)	Depth (mm)	Thickness (mm)	Length (m)	FAÇALU L	FAÇALU L
				Natural	Black lacquered
				Code	Code
50	42	2	3	611 036	-
50	42	2	6	611 016	611 390
50	42	2,5	3	611 049	-
50	42	2,5	6	611 047	611 392
50	50	3	3	611 462	-
50	50	3	6	611 375	-

(2) No CE marking.

Registration date: 12/09/2023 – Revision C

LR ETANCO is a member of:



LR ETANCO - Parc les Érables - Bât. 1 - 66 Route de Sartrouville
78231 Le Pecq Cedex France - www.etanco.eu

Tel: +33 (0)1 34 80 52 00 - commercial.france@etanco.fr

COMPLIANCE

- French standard DTU 45.4.
- French specifications CSTB 3194.
- Reaction to fire: A1 according to NF EN 13501-1.

QUALITY CONTROL

- On packaging: FACALU-L PROFILE + WIDTH/DEPTH/THICKNESS + TOTAL LENGTH + CODE.

QUALITY CONTROL

- ISO 9001 certified quality management system according to certificate in force.

NOTE

These products are intended for professional installers landlords whose the related service includes supply and installation. In accordance with rules and normative regulation, it's their responsibility to check that the use of these products is in conformity to themselves needs and their customers. They have to insure as well the adequacy of this material with their real operating conditions. The company excludes any guarantee for the use that does not respect these conditions. His responsibility is limited to the strict compliance with the specifications stipulated on the customer's purchase order. The guarantee is limited to the replacement of defective parts acknowledged by the Company's technical service, without workforce costs and travel expenses. It excludes material damage or physical injury and others direct or indirect damages, material or immaterial, which may result from defective parts including installation that not complying with the use for which they are designed and produced.

Registration date: 12/09/2023 – Revision C

LR ETANCO is a member of:



LR ETANCO - Parc les Érables - Bât. 1 - 66 Route de Sartrouville
78231 Le Pecq Cedex France - www.etanco.eu

Tel: +33 (0)1 34 80 52 00 - commercial.france@etanco.fr