

DISTRIBUTION WEDGE 30x15 TRANSLUCENT HOLE Ø8 - CLOTHING



PRODUCT DEFINITION

- Distribution wedge.

SCOPE OF APPLICATION

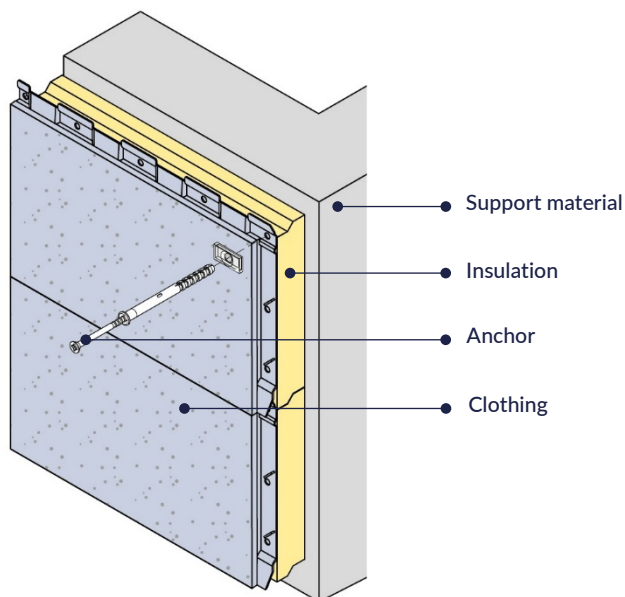
- Fastening element for clothing.

MATERIAL & FINISH

Material:

- High density polyethylene with anti UV.

INSTALLATION



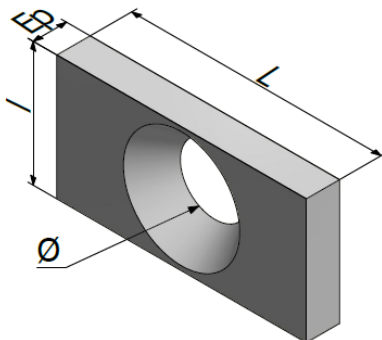
Associated products:

- Anchor TAPCO TF ZN Ø8 mm (See FT 2125)
- Anchor MARCOVIS FM-X5 TF ZN Ø8 mm (See FT 2201)
- Anchor MARCOVIS FM-TXT ZN Ø8 mm (See FT 2305)
- Anchor MARCOVIS FM-X3 TF ZN Ø8 mm (See FT 4527)
- Drill bits SDS+ Ø8 mm (see chapter 9 of the anchors booklet)

PERFORMANCES

- Wedge to distribute the forces to the wind in depression over a small area of the panel and thus avoid any risk of unbuttoning the anchor.

DIMENSIONS & CODES



| Length (L in mm) | Width (l in mm) | Thickness (Ep in mm) | Ø (mm) | Code |
|------------------|-----------------|----------------------|--------|---------|
| 30 | 15 | 4 | 8.3 | 603 110 |

CONFORMITY

- Refer to the Technical Assessments issued by CSTB for clothing.

MARKING & LABELLING

- On packaging: DISTRIBUTION WEDGE 30x15 TRANSLUCENT HOLE Ø8 + CODE.

QUALITY CONTROL

- ISO 9001 certified quality management system according to the certificate in force.

NOTA

These products are intended for professional installers landlords whose the related service includes supply and installation. In accordance with rules and normative regulation, it's their responsibility to check that the use of these products is in conformity to themselves needs and their customers. They have to insure as well the adequacy of this material with their real operating conditions. The company excludes any guarantee for the use that does not respect these conditions. His responsibility is limited to the strict compliance with the specifications stipulated on the customer's purchase order. The guarantee is limited to the replacement of defective parts acknowledged by the Company's technical service, without workforce costs and travel expenses. It excludes material damage or physical injury and others direct or indirect damages, material or immaterial, which may result from defective parts including installation that not complying with the use for which they are designed and produced.

Registration date: 2021/10/07 - Revision A

LR ETANCO is associate member of:



LR ETANCO - Parc les Érables - Bât. 1 - 66 Route de Sartrouville
78231 Le Pecq Cedex France - www.etanco.eu

Tel : +33 (0)1 34 80 52 00 - commercial.france@etanco.fr