

## ISOLALU+ BRACKET LR80 - LR150 - LR160



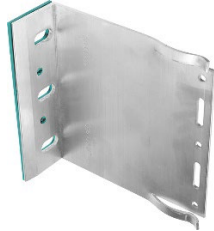
LR80x40 (40 to 140 mm)



LR80x50 (160 to 300 mm)



LR150x40 (40 to 140mm)



LR160x50 (160 to 300 mm)



### PRODUCT DEFINITION

- Extruded and pressed bracket.
- Available alone or with a pre-assembled THERMOSTOP wedge which reduces thermal bridges in the insulated wall.
- Internal clamps to facilitate the positioning of the profiles.

### SCOPE OF APPLICATION

- Framework system for ventilated cladding, in new and renovation.
- Bracket for vertical fixing of aluminium profiles.
- Ideal for fixing facade panels > 12 kg, ceramic slabs, terracotta shingles, stones, etc.

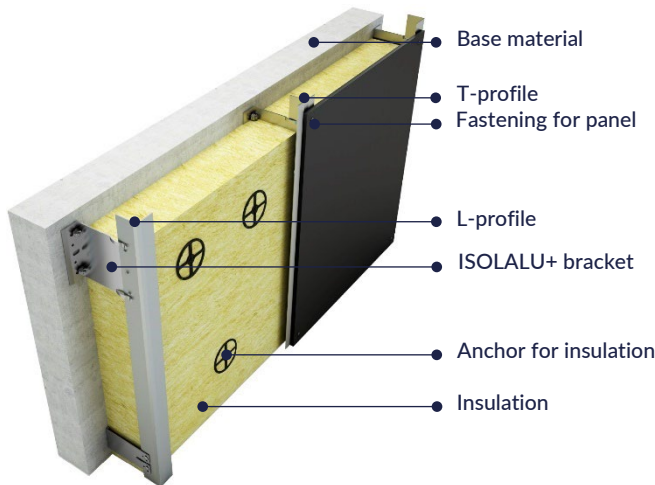
### MATERIAL & FINISH

#### Material:

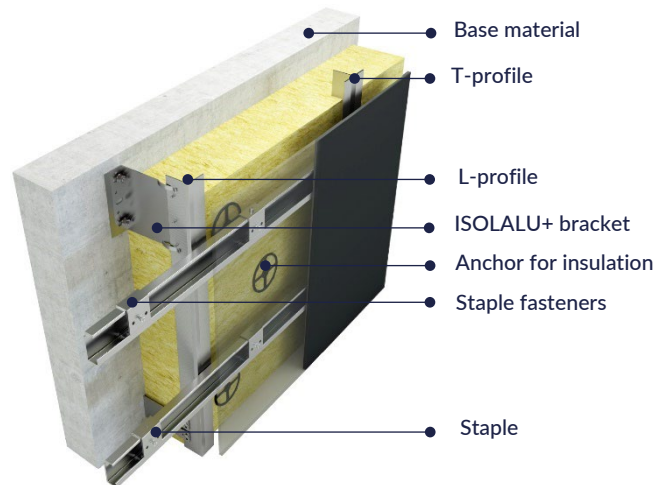
- Bracket: aluminium alloy EN-AW 6063 T66 ( $R_{mmin} = 245 \text{ MPa}$  -  $R_{p0,2min} = 200 \text{ MPa}$ )
- THERMOSTOP Wedge: polyamide 6 reinforced 30% of glass fibres (PA6 +30%GF) turquoise colour RAL 5018.

### INSTALLATION

#### Single network aluminum framework system



#### Double network aluminum framework system



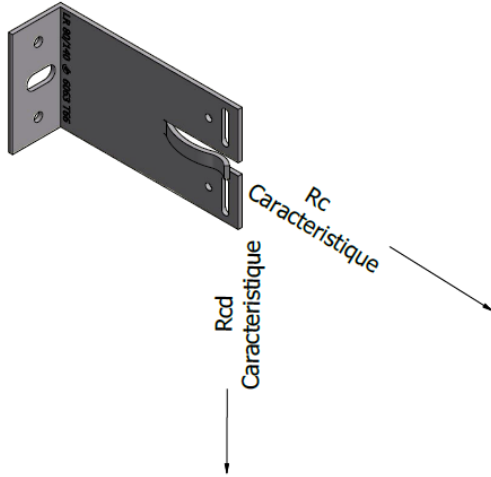
#### Associated products:

- FAÇALU T-profile (refer to TDS n° 4470)
- FAÇALU L-profile (refer to TDS n° 4471)
- FAÇALU TUBE profile 60x40x2,5 mm (refer to TDS n° 4491)
- FAÇALU OMEGA profile (refer to TDS n° 4479)

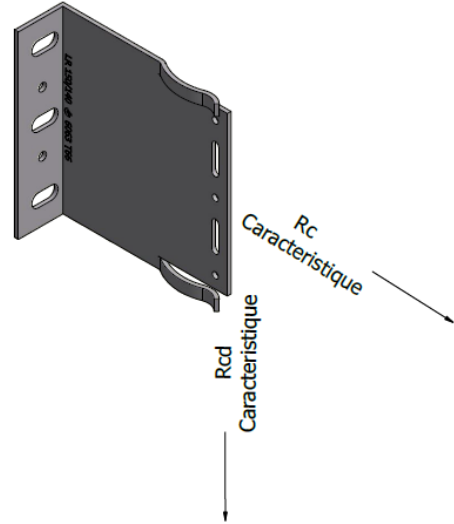
## PERFORMANCES

Characteristic resistances:

LR80 (40 to 300 mm)



LR150 (40 to 140 mm) / LR160 (160 to 300 mm)



### CHARACTERISTIC RESISTANCES DETERMINED FROM TESTS OF ANNEXE 2 OF THE CSTB 3194 SPECIFICATIONS

| Dimensions of bracket |             | Vertical load              |                            | Horizontal load      |
|-----------------------|-------------|----------------------------|----------------------------|----------------------|
| Length (mm)           | Height (mm) | R <sub>cd</sub> 1 mm (daN) | R <sub>cd</sub> 3 mm (daN) | R <sub>c</sub> (daN) |
| 40                    | 80          | 160                        | 160                        | 330                  |
| 60                    |             | 160                        | 160                        | 330                  |
| 80                    |             | 157                        | 158                        | 330                  |
| 100                   |             | 148                        | 152                        | 330                  |
| 120                   |             | 120                        | 140                        | 330                  |
| 140                   |             | 60                         | 121                        | 330                  |
| 160                   |             | 62                         | 125                        | 500                  |
| 180                   |             | 51                         | 104                        | 500                  |
| 200                   |             | 40                         | 88                         | 500                  |
| 220                   |             | 35                         | 76                         | 500                  |
| 240                   |             | 32                         | 68                         | 500                  |
| 260                   |             | 27                         | 56                         | 500                  |
| 280                   |             | 24                         | 48                         | 500                  |
| 300                   |             | 23                         | 44                         | 500                  |
| 40                    | 150         | 900                        | 900                        | 500                  |
| 60                    |             | 670                        | 670                        | 500                  |
| 80                    |             | 530                        | 530                        | 500                  |
| 100                   |             | 420                        | 420                        | 500                  |
| 120                   |             | 310                        | 340                        | 500                  |
| 140                   |             | 230                        | 285                        | 500                  |
| 160                   |             | 343                        | 388                        | 975                  |
| 180                   |             | 260                        | 364                        | 975                  |
| 200                   | 160         | 235                        | 305                        | 975                  |
| 220                   |             | 209                        | 281                        | 975                  |
| 240                   |             | 175                        | 240                        | 975                  |
| 260                   |             | 142                        | 210                        | 975                  |
| 280                   |             | 115                        | 188                        | 975                  |
| 300                   |             | 95                         | 170                        | 975                  |

Registration date: 18/12/2024 - Revision E

LR ETANCO is associate member of:



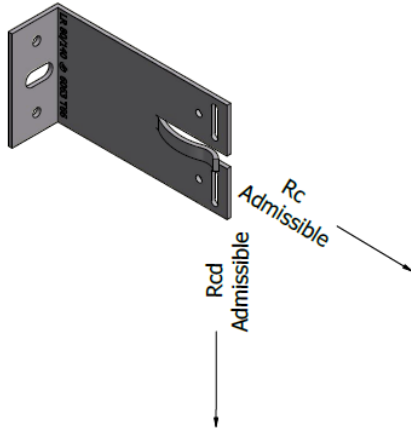
LR ETANCO - Parc les Érables - Bât. 1 - 66 Route de Sartrouville  
78231 Le Pecq Cedex France - [www.etanco.eu](http://www.etanco.eu)

Tel.: +33 (0)1 34 80 52 00 - [commercial.france@etanco.fr](mailto:commercial.france@etanco.fr)

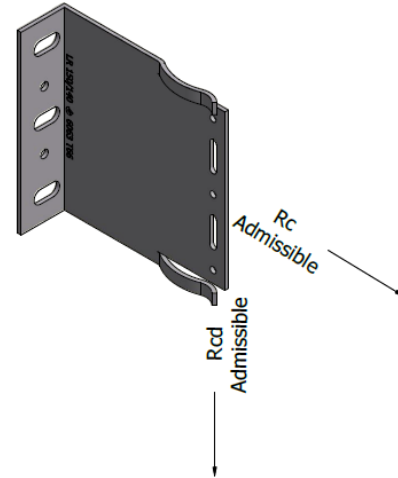
## PERFORMANCES

Admissible resistances:

LR80 (40 to 300 mm)



LR150 (40 to 140 mm) / LR160 (160 to 300 mm)



### ADMISSIBLE RESISTANCES DETERMINED FROM TESTS OF ANNEXE 2 OF THE CSTB 3194 SPECIFICATIONS

| Dimensions of bracket |             | Vertical load (Coef. 2,25) <sup>(1)</sup> |                            | Horizontal load (Coef. 1,67) <sup>(1)</sup> |
|-----------------------|-------------|---|----------------------------|---|
| Length (mm)           | Height (mm) | R <sub>cd</sub> 1 mm (daN)                | R <sub>cd</sub> 3 mm (daN) | R <sub>c</sub> (daN)                        |
| 40                    | 80          | 71,1                                      | 71,1                       | 197,6                                       |
| 60                    |             | 71,1                                      | 71,1                       | 197,6                                       |
| 80                    |             | 69,8                                      | 70,2                       | 197,6                                       |
| 100                   |             | 65,8                                      | 67,6                       | 197,6                                       |
| 120                   |             | 53,3                                      | 62,2                       | 197,6                                       |
| 140                   |             | 26,7                                      | 53,8                       | 197,6                                       |
| 160                   |             | 27,6                                      | 55,6                       | 299,4                                       |
| 180                   |             | 22,7                                      | 46,2                       | 299,4                                       |
| 200                   |             | 17,8                                      | 39,1                       | 299,4                                       |
| 220                   |             | 15,6                                      | 33,8                       | 299,4                                       |
| 240                   |             | 14,2                                      | 30,2                       | 299,4                                       |
| 260                   |             | 12,0                                      | 24,9                       | 299,4                                       |
| 280                   |             | 10,7                                      | 21,3                       | 299,4                                       |
| 300                   |             | 10,2                                      | 19,6                       | 299,4                                       |
| 40                    | 150         | 400,0                                     | 400,0                      | 299,4                                       |
| 60                    |             | 297,8                                     | 297,8                      | 299,4                                       |
| 80                    |             | 235,6                                     | 235,6                      | 299,4                                       |
| 100                   |             | 186,7                                     | 186,7                      | 299,4                                       |
| 120                   |             | 137,8                                     | 151,1                      | 299,4                                       |
| 140                   |             | 102,2                                     | 126,7                      | 299,4                                       |
| 160                   | 160         | 152,4                                     | 172,4                      | 583,8                                       |
| 180                   |             | 115,6                                     | 161,8                      | 583,8                                       |
| 200                   |             | 104,4                                     | 135,6                      | 583,8                                       |
| 220                   |             | 92,9                                      | 124,9                      | 583,8                                       |
| 240                   |             | 77,8                                      | 106,7                      | 583,8                                       |
| 260                   |             | 63,1                                      | 93,3                       | 583,8                                       |
| 280                   |             | 51,1                                      | 83,6                       | 583,8                                       |
| 300                   |             | 42,2                                      | 75,6                       | 583,8                                       |

(1): The values indicated in the table above are admissible values with a coefficient applied to the characteristic values of 2.25 for vertical loads and 1.67 for horizontal loads. Other coefficients may be applied depending on the configuration of the system (refer to the CSTB specifications).

Registration date: 18/12/2024 - Revision E

LR ETANCO is associate member of:

\* ARTEMA  
Les industriels de la Mécatronique



Affix

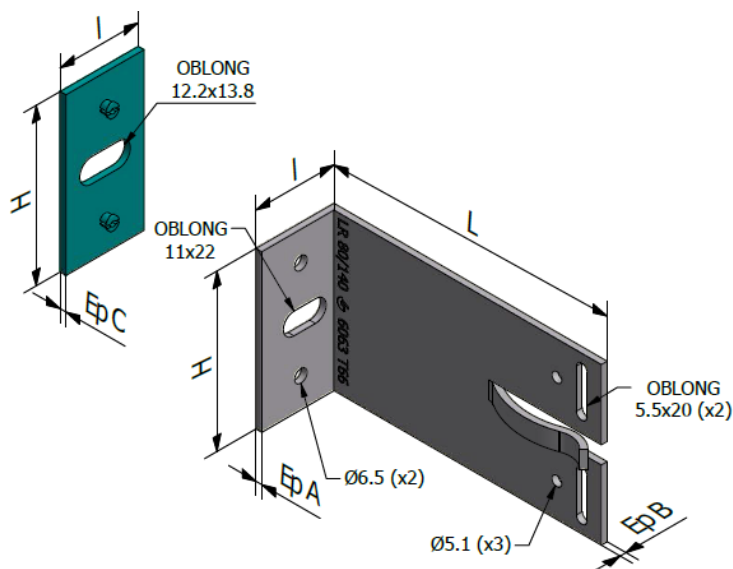
SNBVI  
la façade intelligente

LR ETANCO - Parc les Érables - Bât. 1 - 66 Route de Sartrouville  
78231 Le Pecq Cedex France - [www.etanco.eu](http://www.etanco.eu)

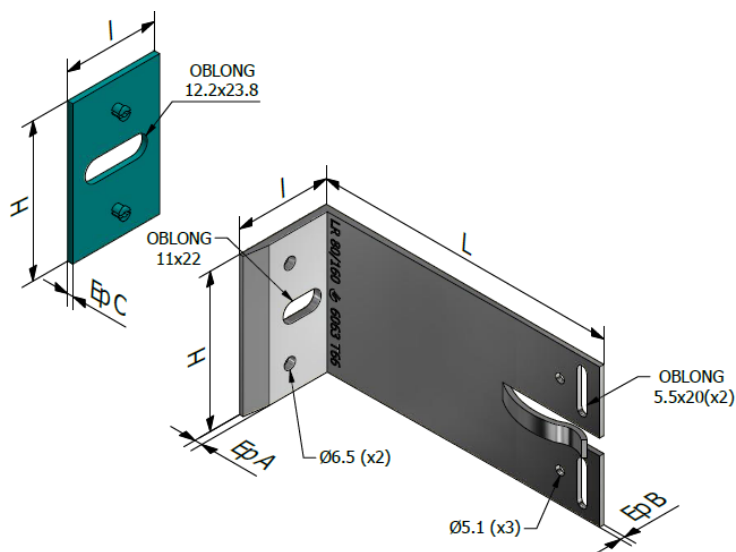
Tel.: +33 (0)1 34 80 52 00 - [commercial.france@etanco.fr](mailto:commercial.france@etanco.fr)

## DIMENSIONS & CODES

LR80x40 (40 à 140 mm)



LR80x50 (160 à 300 mm)



| L. (mm) | l. (mm) | H. (mm) | Ep. A (mm) | Ep. B (mm) | Dn <sub>mini</sub> | Dn <sub>maxi</sub> | Code          | Code                 |
|---------|---------|---------|------------|------------|--------------------|--------------------|---------------|----------------------|
|         |         |         |            |            |                    |                    | Bracket alone | Bracket + wedge      |
| 40      | 40      | 80      | 3          | 3          | 70                 | 70                 | 610 000       | 610 100              |
| 60      |         |         |            |            | 90                 | 90                 | 610 002       | 610 102              |
| 80      |         |         |            |            | 90                 | 110                | 610 004       | 610 104              |
| 100     |         |         |            |            | 110                | 130                | 610 006       | 610 106              |
| 120     |         |         |            |            | 130                | 150                | 610 008       | 610 108              |
| 140     |         |         |            |            | 150                | 170                | 610 010       | 610 110              |
| 160     |         |         |            |            | 50                 | 80                 | 4             | Variable<br>2.5 mini |
| 180     | 190     | 210     | 610 014    | 610 114    |                    |                    |               |                      |
| 200     | 210     | 230     | 610 016    | 610 116    |                    |                    |               |                      |
| 220     | 230     | 250     | 610 018    | 610 118    |                    |                    |               |                      |
| 240     | 250     | 270     | 610 020    | 610 120    |                    |                    |               |                      |
| 260     | 270     | 290     | 610 022    | 610 122    |                    |                    |               |                      |
| 280     | 290     | 310     | 610 024    | 610 124    |                    |                    |               |                      |
| 300     | 310     | 330     | 610 026    | 610 126    |                    |                    |               |                      |

L.: Length of bracket - l.: Width of bracket - H.: Height of bracket - Thickness. Ep. A: Heel Thickness - Ep. B: Minimum flange thickness - Dn<sub>mini</sub>: Minimum bare-to-bare distance - Dn<sub>maxi</sub>: Maximum bare-to-bare distance

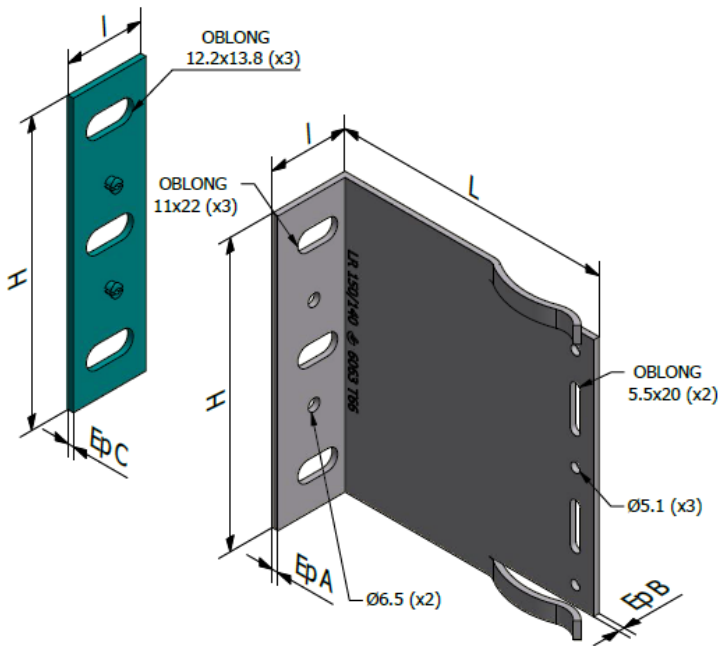
| THERMAL BRIDGE BREAK WEDGE          | L. (mm) | l. (mm) | Ep. C (mm) | Code                   |
|-------------------------------------|---------|---------|------------|------------------------|
| For ISOLALU LR80x40 (40 to 140 mm)  | 80      | 40      | 3          | 611 490 <sup>(2)</sup> |
| For ISOLALU LR80x50 (160 to 300 mm) | 80      | 50      | 3          | 611 491 <sup>(3)</sup> |

L.: Length - W.: Width - Ep. C: Thickness

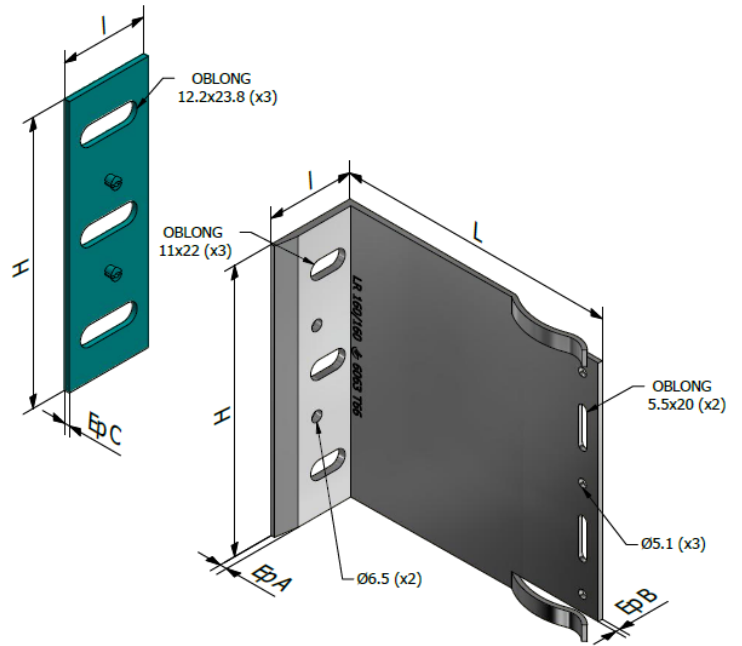
(2): refer to TDS n° 4386

(3): refer to TDS n° 4387

LR150x40 (40 to 140 mm)



LR160x50 (160 to 300 mm)



| L. (mm) | l. (mm) | H. (mm) | Ep. A (mm) | Ep. B (mm) | Dn <sub>mini</sub> | Dn <sub>maxi</sub> | Code          | Code                 |
|---------|---------|---------|------------|------------|--------------------|--------------------|---------------|----------------------|
|         |         |         |            |            |                    |                    | Bracket alone | Bracket + wedge      |
| 40      | 40      | 150     | 3          | 3          | 70                 | 70                 | 610 200       | 610 300              |
| 60      |         |         |            |            | 90                 | 90                 | 610 202       | 610 302              |
| 80      |         |         |            |            | 90                 | 110                | 610 204       | 610 304              |
| 100     |         |         |            |            | 110                | 130                | 610 206       | 610 306              |
| 120     |         |         |            |            | 130                | 150                | 610 208       | 610 308              |
| 140     |         |         |            |            | 150                | 170                | 610 210       | 610 310              |
| 160     |         |         |            |            | 50                 | 160                | 4             | Variable<br>2.5 mini |
| 180     | 190     | 210     | 610 214    | 610 314    |                    |                    |               |                      |
| 200     | 210     | 230     | 610 216    | 610 316    |                    |                    |               |                      |
| 220     | 230     | 250     | 610 218    | 610 318    |                    |                    |               |                      |
| 240     | 250     | 270     | 610 220    | 610 320    |                    |                    |               |                      |
| 260     | 270     | 290     | 610 222    | 610 322    |                    |                    |               |                      |
| 280     | 290     | 310     | 610 224    | 610 324    |                    |                    |               |                      |
| 300     | 310     | 330     | 610 226    | 610 326    |                    |                    |               |                      |

L.: Length of bracket - l.: Width of bracket - H.: Height of bracket - Thickness. Ep. A: Heel Thickness - Ep. B: Minimum flange thickness - Dn<sub>mini</sub>: Minimum bare-to-bare distance - Dn<sub>maxi</sub>: Maximum bare-to-bare distance

| THERMAL BRIDGE BREAK WEDGE           | L. (mm) | l. (mm) | Ep. C (mm) | Code                   |
|--------------------------------------|---------|---------|------------|------------------------|
| For ISOLALU LR150x40 (40 to 140 mm)  | 150     | 40      | 3          | 611 492 <sup>(4)</sup> |
| For ISOLALU LR160x50 (160 to 300 mm) | 160     | 50      | 3          | 611 493 <sup>(5)</sup> |

L.: Length - W.: Width - Ep. C: Thickness

(2): refer to TDS n° 4386

(3): refer to TDS n° 4387

## CONFORMITY

- French standard DTU 45.4.
- French specifications CSTB 3194.
- Reaction to fire: A1 according to NF EN 13501-1 (bracket alone).
- The characteristic resistances come from tests carried out by the LR ETANCO laboratory.
- Seismic resistance: generic test report n° EEM-20-26087413 (façade panels LUNARA ETERNIT)

## MARKING & LABELLING

- On packaging: ISOLALU PLUS BRACKET + LR80 + LENGTH + CODE.
- On packaging: ISOLALU PLUS BRACKET + LR80 + LENGTH + THERMOSTOP + CODE.
- On packaging: ISOLALU PLUS BRACKET + LR150 + LENGTH + CODE.
- On packaging: ISOLALU PLUS BRACKET + LR150 + LENGTH + THERMOSTOP + CODE.
- On packaging: ISOLALU PLUS BRACKET + LR160 + LENGTH + CODE.
- On packaging: ISOLALU PLUS BRACKET + LR160 + LENGTH + THERMOSTOP + CODE.

## QUALITY CONTROL

- ISO 9001 certified quality management system according to the certificate in force.

## NOTA

These products are intended for professional installers landlords whose the related service includes supply and installation. In accordance with rules and normative regulation, it's their responsibility to check that the use of these products is in conformity to themselves needs and their customers. They have to insure as well the adequacy of this material with their real operating conditions. The company excludes any guarantee for the use that does not respect these conditions. His responsibility is limited to the strict compliance with the specifications stipulated on the customer's purchase order. The guarantee is limited to the replacement of defective parts acknowledged by the Company's technical service, without workforce costs and travel expenses. It excludes material damage or physical injury and others direct or indirect damages, material or immaterial, which may result from defective parts including installation that not complying with the use for which they are designed and produced.

Registration date: 18/12/2024 – Revision E

LR ETANCO is associate member of:



LR ETANCO - Parc les Érables - Bât. 1 - 66 Route de Sartrouville  
78231 Le Pecq Cedex France - [www.etanco.eu](http://www.etanco.eu)

Tel.: +33 (0)1 34 80 52 00 - [commercial.france@etanco.fr](mailto:commercial.france@etanco.fr)