

## ISOLCO 3000 P2 M8 & M10 BRACKET - STAINLESS STEEL



### PRODUCT DEFINITION

- Steel bracket - 2,5 mm thickness - cuted - embossed - ribbed.

### SCOPE OF APPLICATION

- For fixing of vertical wood frames or metal frames of ventilated insulated or non-insulated facade .

### MATERIAL & FINISH

#### Material:

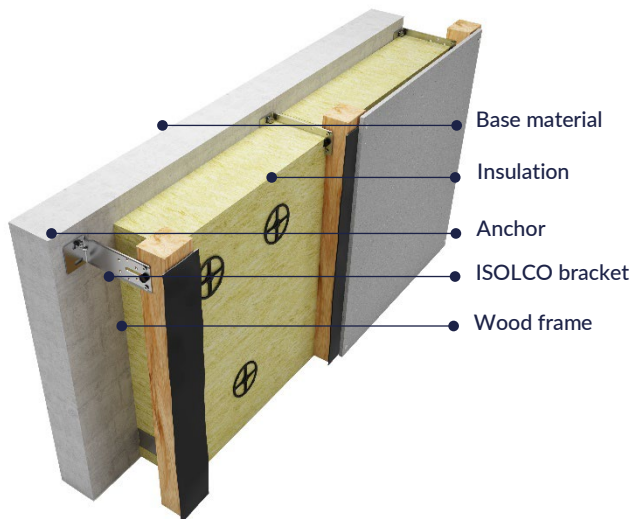
- Austenitic stainless steel A2 (304) - 1.4301 according to NF EN 10346.

#### Corrosion resistance:

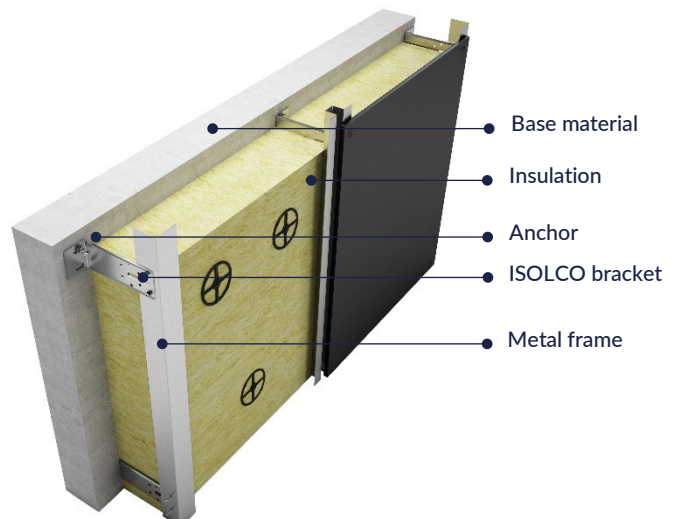
- Determined by Kesternich test according to NF EN ISO 3231:  
Resist to more than 30 cycles before the appearance of red rust.
- Salt spray test according to NF EN ISO 9227:  
No trace of red rust after 1000 hours.

### INSTALLATION

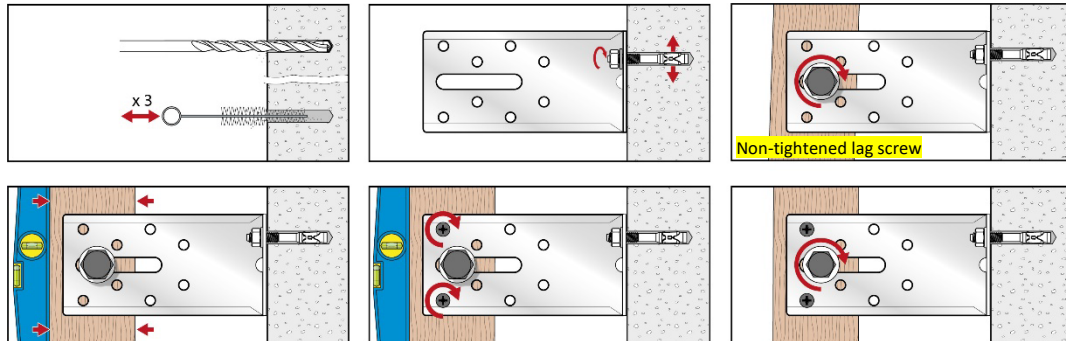
#### Ventilated facade with single vertical wood frame



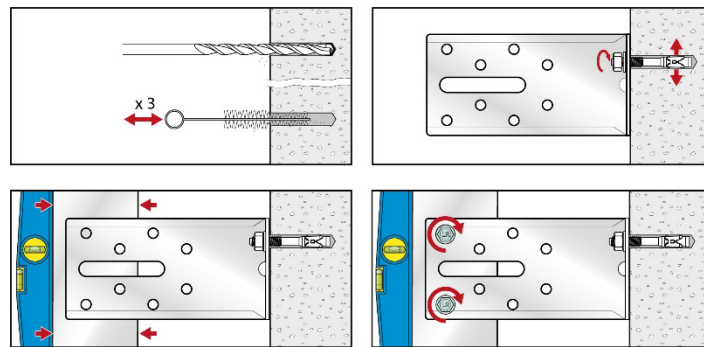
#### Ventilated facade with single vertical metal frame



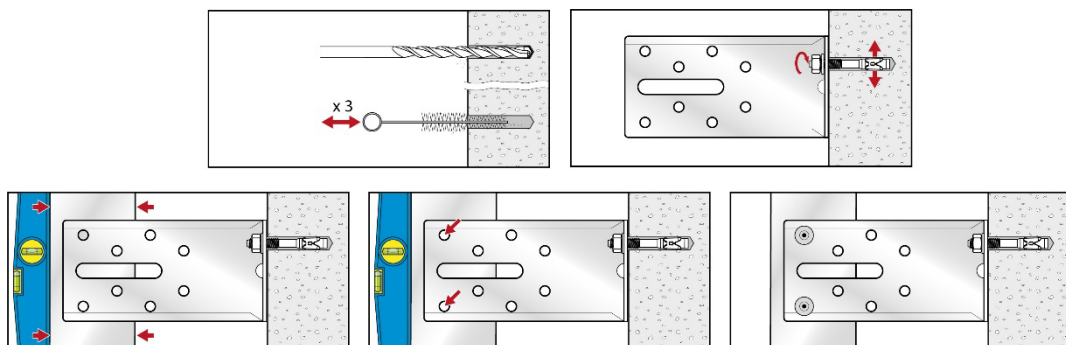
## ISOLCO bracket + screw flanged wood frame



## ISOLCO bracket + screw flanged metal frame



## ISOLCO + rivet flanged metal frame



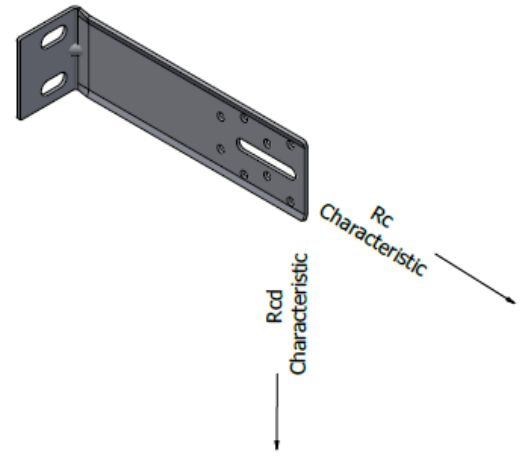
- Fastening brackets in the base material (Anchor to be determined according to the construction)
  1. Metallic anchors:
    - BARACO/M FM 753 M8 or M10 stainless steel A4\* (refer TDS 2079)
    - BARACO/M FM 753 M8 or M10 CRACK stainless steel A4\* (refer to TDS 2080)
    - MP3-S M8 or M10 stainless steel A4\* (refer to TDS 2105)
  2. Chemical anchors:
    - CHIMFORT KEM H\* or VEA\* + threaded rod M8 or M10 stainless steel A4\* (refer to TDS 5000 or 5002 or 5006)
  3. Metal-plastic anchors:
    - MARCOVIS FM-X5 Ø10 TH\* stainless steel A4\* (refer to TDS 2201)
    - MARCOVIS FM-X3 Ø10 TH\* stainless steel A4\* (refer to TDS 4530)
- (\*) Products with a European Technical Assessment (ETA) and CE marking.
  
- Fastening wood frame on bracket:
  - Lag screw TH13 Ø8x50 mm stainless steel A2 (code: 15 234)
  - Washer Ø18xØ8.6x1.5 mm stainless steel A2 (code: 71 289)
  - VBU TF/Pz2 Ø5x40 mm stainless steel (2 minimum) (code: 33 020)
  
- Fastening metal frame on bracket:
  - Open-type Rivet all stainless steel A2 Ø4.8x18 mm (code: 273 600)
  - PERFIX TH8 Ø5.5x19 mm on aluminium only (code: 300 468)

## PERFORMANCES

Characteristic resistances:

CHARACTERISTIC RESISTANCES DETERMINED FROM TESTS OF ANNEXE 2 OF THE CSTB 3316 AND ANNEXE 1 OF THE CSTB 3194

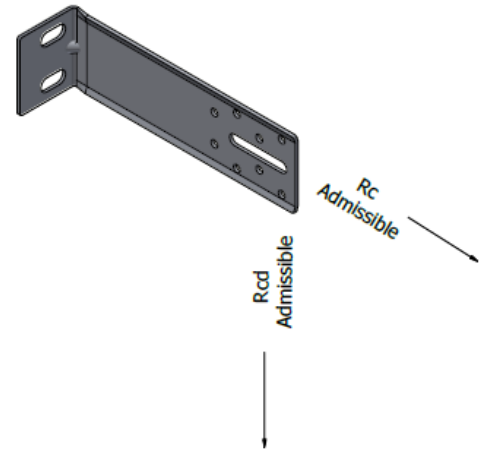
Length (mm)	Vertical load		Horizontal load
L. (mm)	R <sub>cd</sub> 1 mm (daN)	R <sub>cd</sub> 3 mm (daN)	R <sub>c</sub> (daN)
60	85	85	175
80	72	72	
100	55	55	
110	46	53	
120	40	50	
140	30	44	
160	22	38	
170	19	36	



Admissible resistances:

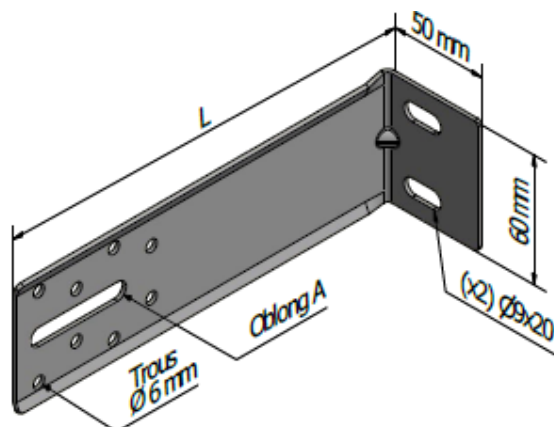
ADMISSIBLE RESISTANCES DETERMINED FROM TESTS OF ANNEXE 2 OF THE CSTB 3316 AND ANNEXE 1 OF THE CSTB 3194

Length (mm)	Vertical load (Coef. 2,25) *		Horizontal load (Coef. 1,67) *
L. (mm)	R <sub>cd</sub> 1 mm (daN)	R <sub>cd</sub> 3 mm (daN)	R <sub>c</sub> (daN)
60	37.7	37.7	104.8
80	32	32	
100	24.2	24.4	
110	20.4	23.5	
120	17.7	22.2	
140	13.3	19.5	
160	9.7	16.8	
170	8.4	16	



\* The values indicated in the table above are admissible values with a coefficient applied to the characteristic values of 2.25 for vertical loads and 1.67 for horizontal loads. Other coefficients may be applied depending on the configuration of the system (refer to the CSTB specifications).

## DIMENSIONS & CODES



L. (mm)	Number of holes Ø6 (mm)	Oblong A (mm)	Code
60	6	9.0 x 34.5	362 436
80	8	9.0 x 51	362 438
100	8	9.0 x 51	362 440
110	8	9.0 x 51	362 441
120	8	9.0 x 51	362 442
140	8	9.0 x 51	362 444
160	8	9.0 x 51	362 446
170	8	9.0 x 51	362 447

## CONFORMITY

- French specifications: CSTB 3316 and 3194.
- French standard: DTU 45.4.
- Fire reaction : A1 according to NF EN 13501-1.

## MARKING & LABELLING

- On packaging: ISOLCO 3000 P2 STAINLESS STEEL A2 M8 BRACKET + LENGTH + CODE.
- On packaging: ISOLCO 3000 P2 STAINLESS STEEL A2 M10 BRACKET + LENGTH + CODE.

## QUALITY CONTROL

- ISO 9001 certified quality management system according to the certificate in force.

## NOTA

These products are intended for professional installers landlords whose the related service includes supply and installation. In accordance with rules and normative regulation, it's their responsibility to check that the use of these products is in conformity to themselves needs and their customers. They have to insure as well the adequacy of this material with their real operating conditions. The company excludes any guarantee for the use that does not respect these conditions. His responsibility is limited to the strict compliance with the specifications stipulated on the customer's purchase order. The guarantee is limited to the replacement of defective parts acknowledged by the Company's technical service, without workforce costs and travel expenses. It excludes material damage or physical injury and others direct or indirect damages, material or immaterial, which may result from defective parts including installation that not complying with the use for which they are designed and produced.

Registration date: 2024/04/03 - Revision D

LR ETANCO is associate member of:



LR ETANCO - Parc les Érables - Bât. 1 - 66 Route de Sartrouville  
78231 Le Pecq Cedex France - [www.etanco.eu](http://www.etanco.eu)

Tel : +33 (0)1 34 80 52 00 - [commercial.france@etanco.fr](mailto:commercial.france@etanco.fr)