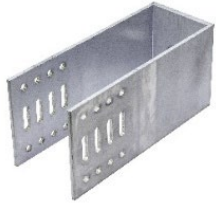


## ISOLALU+ NDND AUH BRACKET



AUH70 (40 to 180 mm)



AUH160 (40 to 180 mm)



AUH70 (200 to 220 mm)



AUH160 (200 to 220 mm)

### PRODUCT DEFINITION

- Bracket for vertical fixing of aluminium profiles from slab nose to slab nose.
- Length 40 to 180 mm : Extruded, cuted and stamped.
- Length 200 to 220 mm Extruded, cuted, stamped and bended.

### SCOPE OF APPLICATION

- Fixing long length frames directly to slab noses when the facade does not allow anchoring (asbestos, fragile, non-structural, etc.).
- Fixing frames for ventilated cladding (seismic solution in technical advices for some composite panels).
- This system adapts to most claddings, with visible or not fastening, single or double framework, fitted or mechanically fixed.
- Installation of composite panels or other panels with Omega 782 aluminium profile + 816 aluminium sliding part for vertical frame. With or without insulation, in new construction or renovation construction.

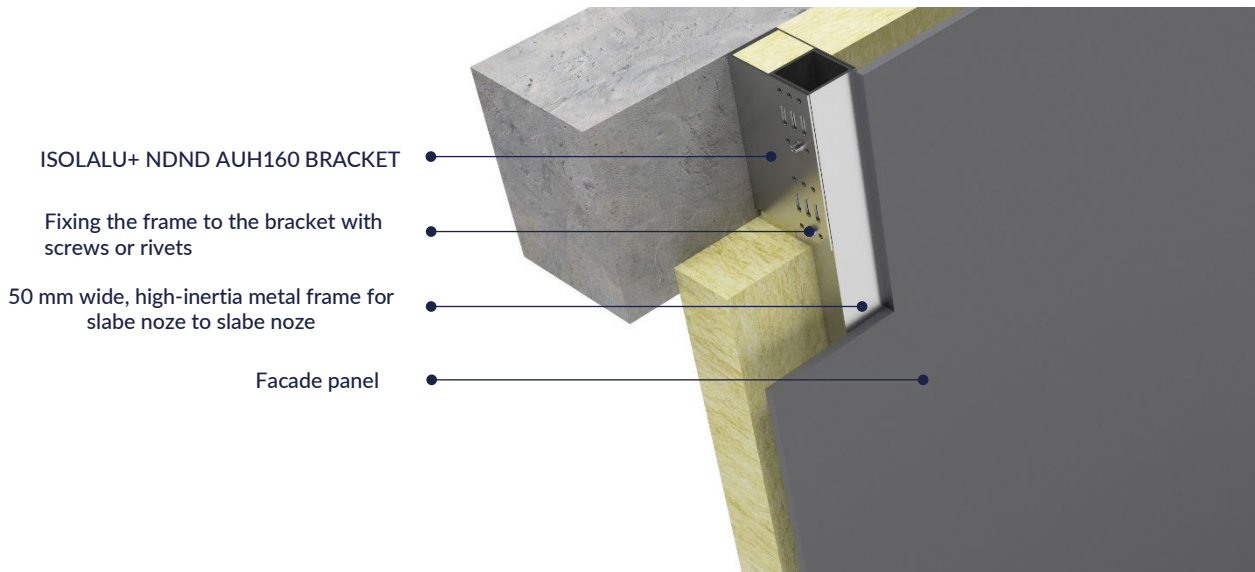
### MATERIAL & FINISH

#### Material :

- Brackets 40 to 180 mm :  
Aluminium alloy EN-AW 6063 T66.  
Minimal characteristics : Rm = 245 MPa - Rp0.2 = 200 MPa - HBS 80.
- Brackets 200 to 220 mm :  
Aluminium alloy EN-AW 5754.  
Minimal characteristics : Rm = 220 to 270 MPa - Rp0.2 = 130 MPa - HBS 63.

## INSTALLATION

### Slabe noze to slabe noze : Single network aluminum framework system

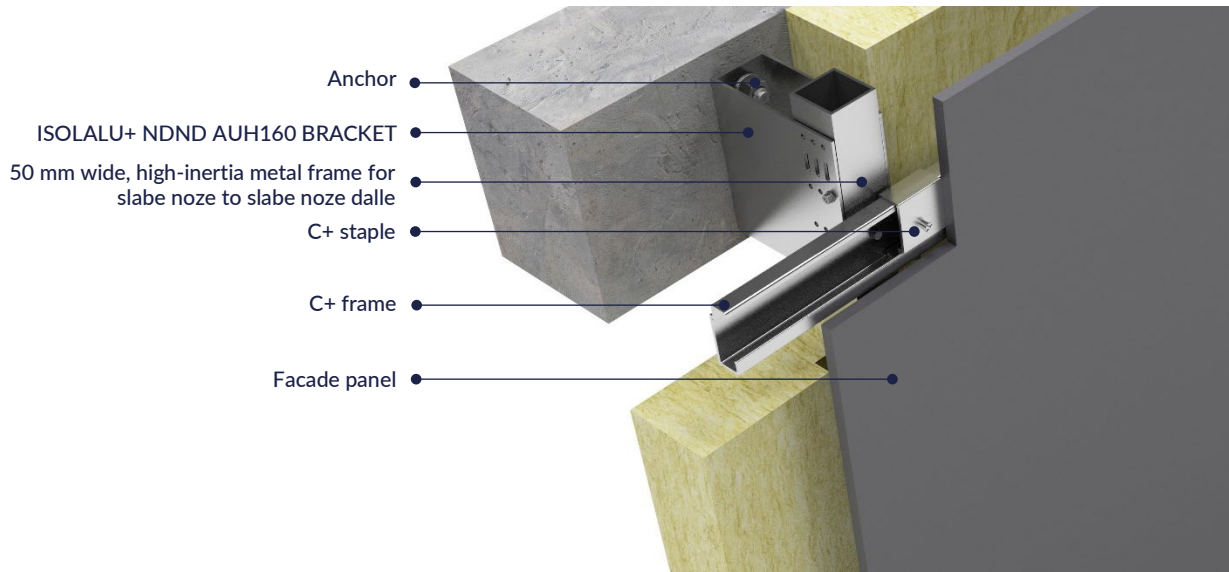


#### Associated products :

- Fastening ISOLALU+ NDND AUH70 or AUH160 in base material (Anchor to be determined according to the construction)
  1. Metallic anchors :
    - BARACO/M FM 753 M8 stainless steel A4 (refer to TDS 2079)
    - BARACO/M FM 753 M8 Crack stainless steel A4 (refer to TDS 2080)
  2. Chemical anchors :
    - CHIMFORT KEM H or VEA + threaded rod M8 stainless steel A4 (refer to TDS 5000 or 5002 or 5006)
- Aluminium profile FACALU : Pipe 50x50x3 (refer to TDS 4491)
- Galvanized steel profile Z450 : Omega 30x50x50 thickness 2 mm Length 3 ml (code : 611 534)
- Galvanized steel profile Z450 : U 50x50x50 thickness 2 mm Length 3 ml (code : 611 535)
- Open type Rivet RIVCOLOR Alu/Stainless steel CL14 Ø5x12 mm (\*) (refer to TDS 2318)
- PERFIX 3 TH8 stainless steel A2 Ø5,5x25 mm (refer to TDS 4042)
- DRILLNOX 3.5PI TH8 stainless steel A4 Ø5,5x28 mm (refer to TDS 4007)

(\*) Subject to compliance with technical advice.

Slabe noze to slabe noze : Double network aluminum framework system with

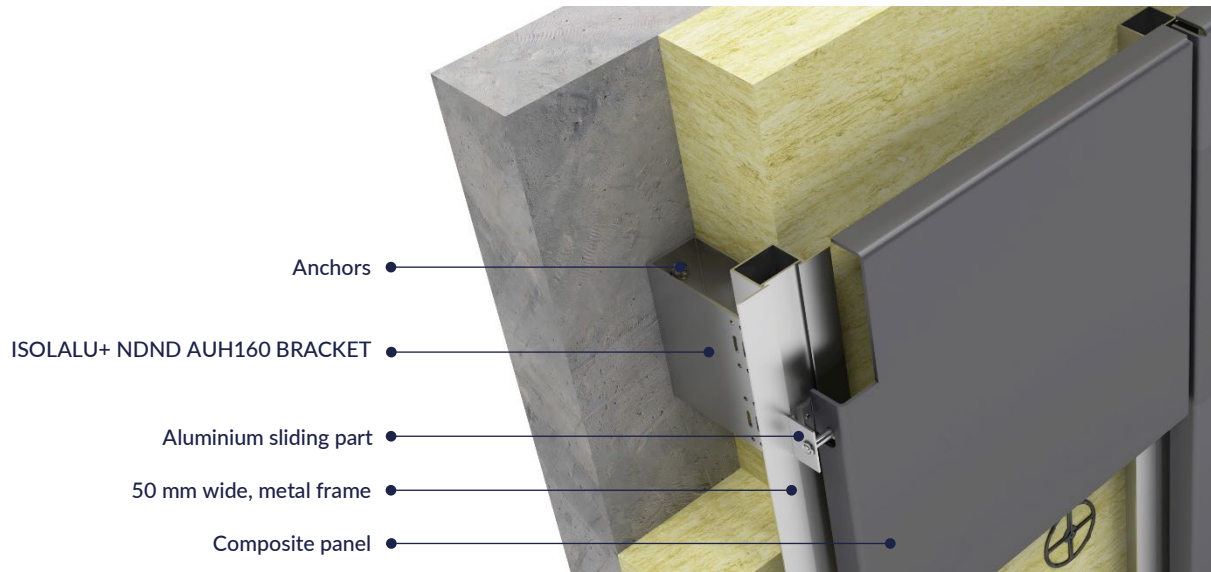


#### Associated products :

- Fastening ISOLALU+ NDND AUH70 or AUH160 in base material (Anchor to be determined according to the construction)
  1. Metallic anchors :
    - BARACO/M FM 753 M8 stainless steel A4 (refer to TDS 2079)
    - BARACO/M FM 753 M8 Crack stainless steel A4 (refer to TDS 2080)
  2. Chemical anchors :
    - CHIMFORT KEM H or VEA + threaded rod M8 stainless steel A4 (refer to TDS 5000 or 5002 or 5006)
- Aluminium profile FAÇALU : Pipe 50x50x3 (refer to TDS 4491)
- Galvanized steel profile Z450 U 50x50x50 thickness 2 mm Length 3 ml (code : 611 535)
- Open Type Rivet RIVCOLOR Alu/Stainless steel CL14 Ø5x12 mm (\*) (refer to TDS 2318)
- PERFIX 3 TH8 Stainless steel A2 Ø5,5x25 mm (refer to TDS 4042)
- DRILLNOX 3.5PI TH8 Stainless steel A4 Ø5,5x28 mm (refer to TDS 4007)

(\*) Subject to compliance with technical advice.

## Single network aluminum framework system



### Associated product :

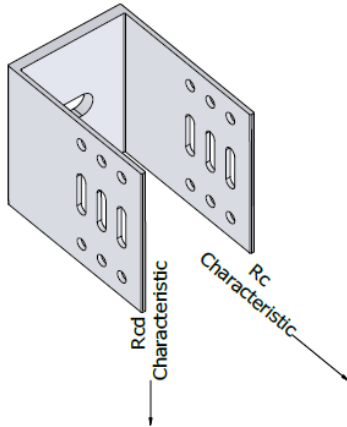
- Fastening ISOLALU+ NDND AUH70 or AUH160 in base material (Anchor to be determined according to the construction)
  1. Metallic anchors :
    - BARACO/M FM 753 M8 stainless steel A4 (refer to TDS 2079)
    - BARACO/M FM 753 M8 Crack stainless steel A4 (refer to TDS 2080)
    - MP3-S M8 stainless steel A4 (refer to TDS 2105)
  2. Chemical anchors :
    - CHIMFORT KEM H or VEA + threaded rod M8 stainless steel A4 (refer to TDS 5000 or 5002 or 5006)
- Aluminium profile Omega 782 (refer to TDS 4292)
- Aluminium sliding part 816 (refer to TDS 4290)
- Aluminium profile Omega ALUCOBOND® (refer to TDS 4490)
- Aluminium sliding part ALUCOBOND® (refer to TDS 4347)
- Open type Rivet RIVCOLOR Alu/Stainless steel CL14 Ø5x12 mm (\*) (refer to TDS 2318)
- PERFIX 3 TH8 Stainless steel A2 Ø5,5x25 mm (refer to TDS 4042)
- DRILLNOX 3.5PI TH8 Stainless steel A4 Ø5,5x28 mm (refer to TDS 4007)

(\*) Subject to compliance with technical advice.

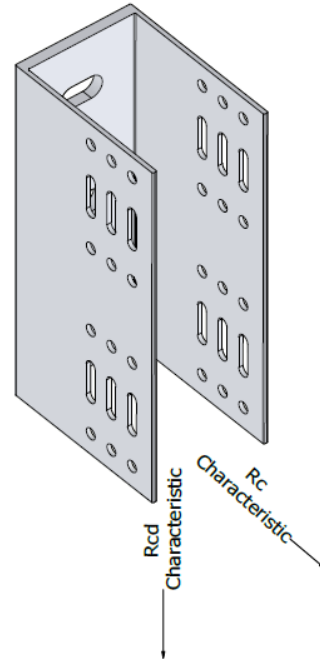
## PERFORMANCES

Characteristic resistances :

AUH70 (40 to 180 mm)



AUH160 (40 to 180 mm)

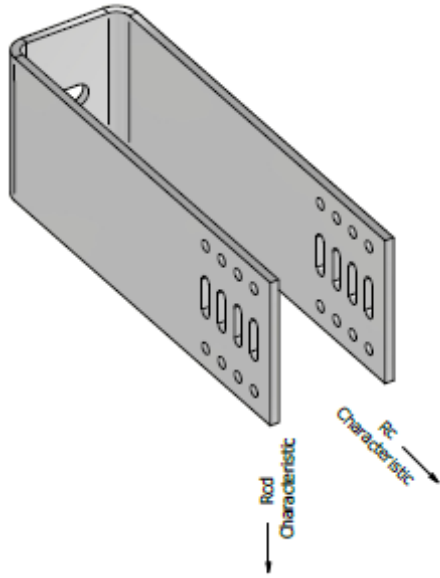


### CHARACTERISTIC RESISTANCES DETERMINED FROM TESTS OF ANNEXE 1 OF THE CSTB 3194

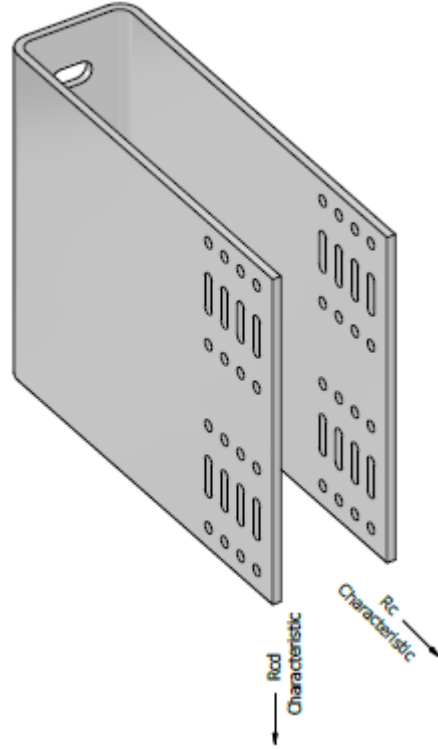
Bracket dimensions		Vertical load		Horizontal load
Length (mm)	Height (mm)	R <sub>cd</sub> 1 mm (daN)	R <sub>cd</sub> 3 mm (daN)	R <sub>c</sub> (daN)
40	70	385	385	1100
60		345	345	
80		275	300	
100		210	250	
120		140	200	
135		150	191	
150		138	190	
180		116	189	
40	160	315	315	1100
60		405	405	
80		465	465	
100		438	438	
120		412	412	
135		410	410	
150		370	370	
180		235	235	

Characteristic resistances :

AUH70 (200 to 220 mm)



AUH160 (200 to 220 mm)

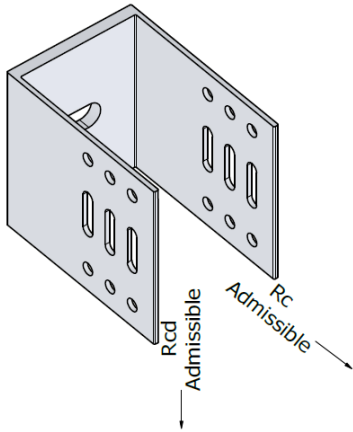


CHARACTERISTIC RESISTANCES DETERMINED FROM TESTS OF ANNEXE 1 OF THE CSTB 3194

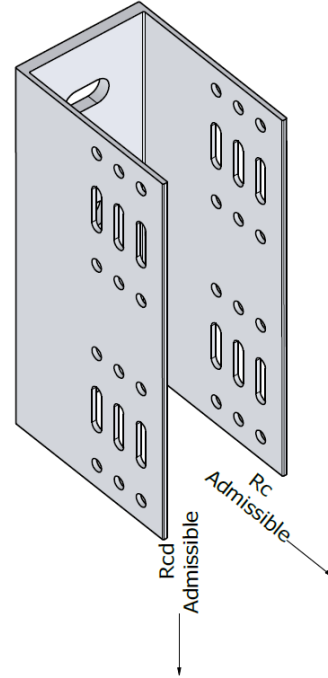
Bracket dimensions		Vertical load		Horizontal load
Length (mm)	Height (mm)	R <sub>cd</sub> 1 mm (daN)	R <sub>cd</sub> 3 mm (daN)	R <sub>c</sub> (daN)
200	70	21	91	900
220		21	64	
200	160	86	220	950
220		69	179	

Admissible resistances :

AUH70 (40 to 180 mm)



AUH160 (40 to 180 mm)



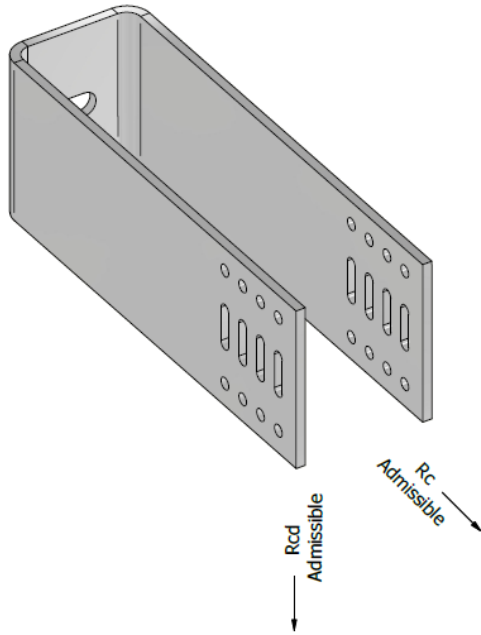
ADMISSIBLE RESISTANCES DETERMINED FROM TESTS OF ANNEXE 1 OF THE CSTB 3194

Bracket dimensions		Vertical load (Coef. 2,25) <sup>(1)</sup>		Horizontal load (Coef. 1,67) <sup>(1)</sup>
Length (mm)	Height (mm)	R <sub>cd</sub> 1 mm (daN)	R <sub>cd</sub> 3 mm (daN)	R <sub>c</sub> (daN)
40	70	171	171	659
60		153	153	
80		122	133	
100		93	111	
120		62	89	
135		67	85	
150		61	84	
180		52	84	
40	160	140	140	659
60		180	180	
80		207	207	
100		195	195	
120		183	183	
135		182	182	
150		164	164	
180		104	104	

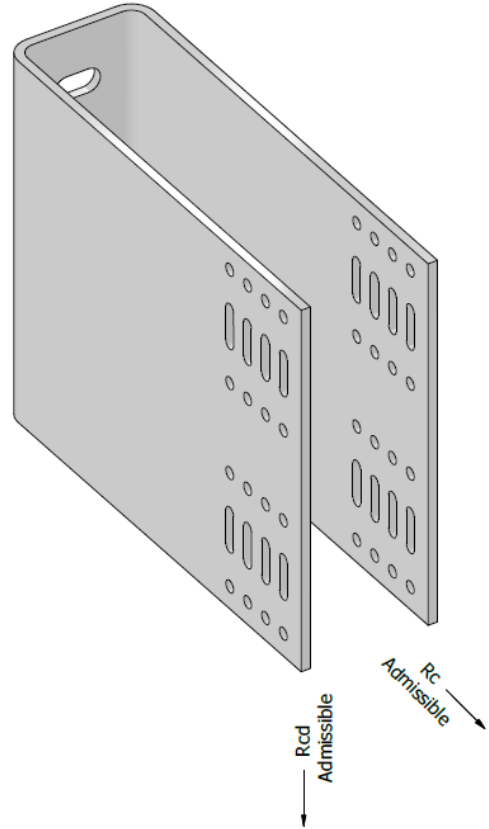
(1) : The values indicated in the table above are admissible values with a coefficient applied to the characteristic values of 2.25 for vertical loads and 1.67 for horizontal loads. Other coefficients may be applied depending on the configuration of the system (refer to the CSTB specifications).

Admissible resistances :

AUH70 (200 to 220 mm)



AUH160 (200 to 220 mm)



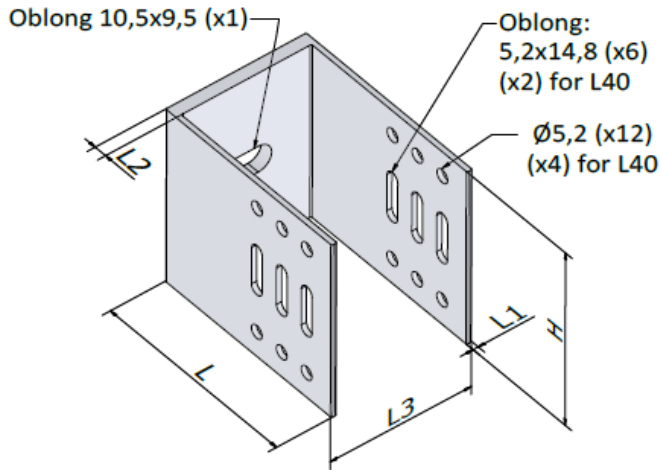
ADMISSIBLE RESISTANCES DETERMINED FROM TESTS OF ANNEXE 1 OF THE CSTB 3194

Bracket dimensions		Vertical load (Coef. 2,25) <sup>(1)</sup>		Horizontal load (Coef. 1,67) <sup>(1)</sup>
Length (mm)	Height (mm)	R <sub>cd</sub> 1 mm (daN)	R <sub>cd</sub> 3 mm (daN)	R <sub>c</sub> (daN)
200	70	9	40	539
220		9	28	
200	160	38	98	569
220		31	80	

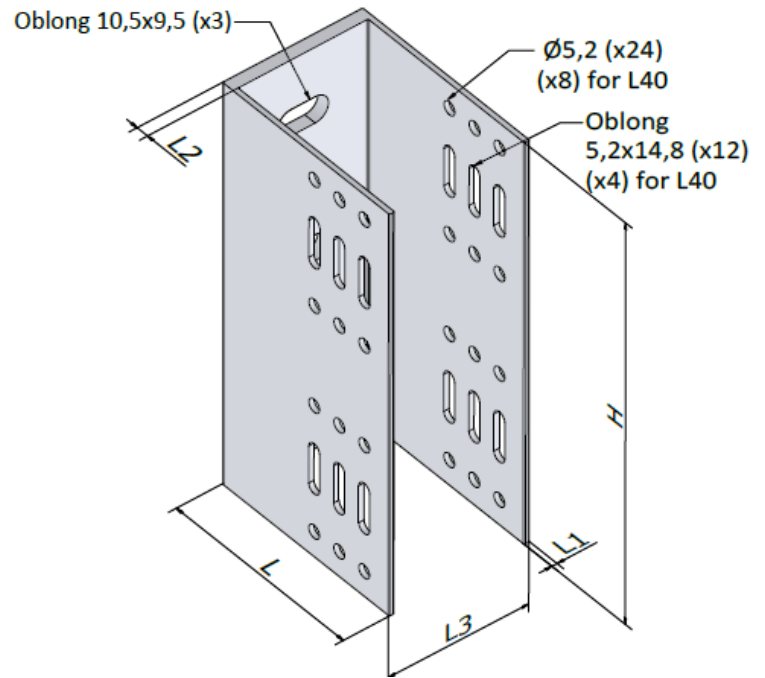
(1) : The values indicated in the table above are admissible values with a coefficient applied to the characteristic values of 2.25 for vertical loads and 1.67 for horizontal loads. Other coefficients may be applied depending on the configuration of the system (refer to the CSTB specifications).

## DIMENSIONS & CODES

AUH70 (40 to 180 mm)



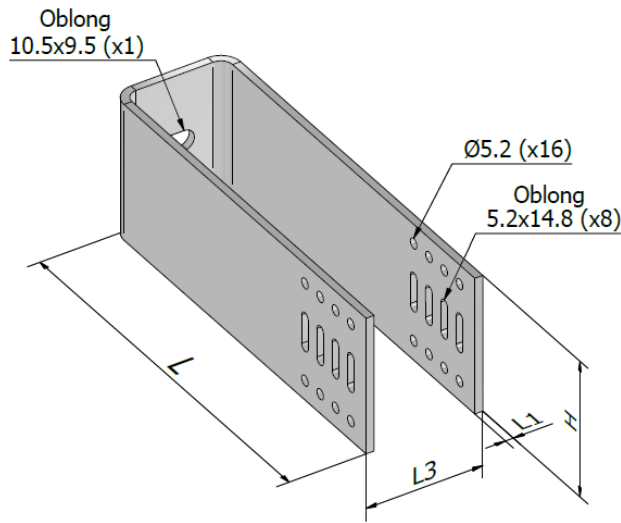
AUH160 (40 to 180 mm)



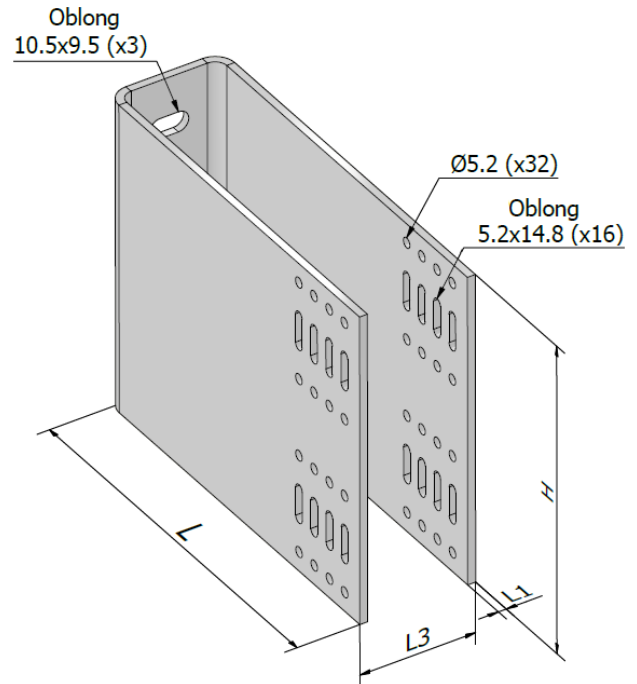
L. (mm)	H. (mm)	L1 (mm)	L2 (mm)	L3 (mm)	Code
40	70	2	3,5	55	611 671
60		2	5	55	611 672
80		2	5	55	611 673
100		2	5	55	611 674
120		2	5	55	611 675
135		3	5	57	611 676
150		3	5	57	611 677
180		3	5	57	611 678
40	160	2	3,5	55	611 679
60		2	5	55	611 680
80		2	5	55	611 681
100		2	5	55	611 682
120		2	5	55	611 683
135		3	5	57	611 684
150		3	5	57	611 685
180		3	5	57	611 686

L : Length - H : height - L1 : Thickness - L2 : Thickness - L3 : Width

AUH70 (200 to 220 mm)



AUH160 (200 to 220 mm)



L. (mm)	H. (mm)	L1 (mm)	L3 (mm)	Code
200	70	4	59	611 687
220		4	59	611 688
200	160	4	59	611 689
220		4	59	611 690

L. : Length - H. : height - L1 : Thickness - L2 : Thickness - L3 : Width

## CONFORMITY

- French specifications : CSTB 3194.
- The characteristic resistances come from tests carried out by the LR ETANCO laboratory.
- Fire reaction : A1 according to NF EN 13501-1.

## MARKING & LABELLING

- On packaging : ISOLALU+ NDND AUH BRACKET + HEIGHT + LENGTH + CODE.

## QUALITY CONTROL

- ISO 9001 certified quality management system according to the certificate in force .

## NOTA

These products are intended for professional installers landlords whose the related service includes supply and installation. In accordance with rules and normative regulation, it's their responsibility to check that the use of these products is in conformity to themselves needs and their customers. They have to insure as well the adequacy of this material with their real operating conditions. The company excludes any guarantee for the use that does not respect these conditions. His responsibility is limited to the strict compliance with the specifications stipulated on the customer's purchase order. The guarantee is limited to the replacement of defective parts acknowledged by the Company's technical service, without workforce costs and travel expenses. It excludes material damage or physical injury and others direct or indirect damages, material or immaterial, which may result from defective parts including installation that not complying with the use for which they are designed and produced.

Registration date: 2023/10/10 - Revision B

LR ETANCO is associate member of:



LR ETANCO - Parc les Érables - Bât. 1 - 66 Route de Sartrouville  
78231 Le Pecq Cedex France - [www.etanco.eu](http://www.etanco.eu)

Tel: +33 (0)1 34 80 52 00 - [commercial.france@etanco.fr](mailto:commercial.france@etanco.fr)