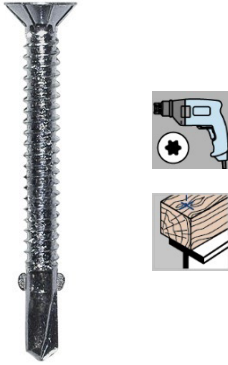


## WINGTEKS 6 TF/Torx30 – ZINC-PLATED STEEL – Ø 6.3 x L



### PRODUCT DEFINITION

- Self-drilling bi-metal screw Ø 6.3 mm.
- Torx countersunk head Ø 12.4 mm with ribs under head.
- Torx n°30 pattern.
- 1.81 mm pitch. Drilling point.

### APPLICATION

- Fastening for wood element on metallic frames.
- Non-aggressive environment.
- Drilling capacity (CP): 2 to 6 mm of steel.

### MATERIAL & FINISH

#### Material:

- Screws: Treated steel.

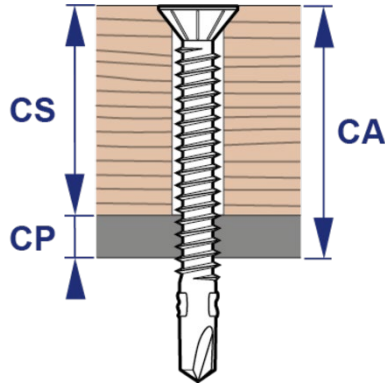
#### Finish:

- ZN: White zinc without chromium VI – Thickness  $\geq 5 \mu\text{m}$  according to ISO 4042.

#### Corrosion resistance:

- Determined Kesternich test according to NF EN ISO 22479:  
Resist to 1 cycle without appearance red rust.
- Salt spray test according to NF EN ISO 9227:  
No trace of red rust after 48 hours.
- Corrosion Guarantee:  
No guarantee.

## INSTALLATION



CP: Drilling Capacity – CS<sub>Mini</sub>: Clamping Capacity – CA<sub>Max</sub>: Assembly Capacity

- The assembly is done out using a FEIN ASCM 18-4 QM AS screwdriver with torque limiter and depth gauge with a drive bit Torx 30.

### Unauthorized machines:

- Nutrunners, impact wrenches, impact screwdrivers are not suitable for assembly work and are strictly forbidden to use.

### Recommended tools:

- Screwdriver box FEIN ASCM 18-4 QM AS battery-powered + Starter set with 2 batteries and 1 charger (code: 321 688).
- Depth stop for FEIN ASCM 18-4 QM AS (code: 321 686).
- Magnetic bit holder in stainless steel (Code: 323 105).
- Drive bit Torx 30 Lg 25mm (Code: 325 115).

### Associated Products:

- WINGTEKS 3 TF/Tx20 ZN Ø 4,2xL (Refer to TDS no. 4542).
- WINGTEKS 4 TF/Tx25 ZN Ø 4,8xL (Refer to TDS no. 4541).
- WINGTEKS 5 TF/Tx25 ZN Ø 5,5xL (Refer to DTS no. 4543).
- WINGTEKS 10 TF/Tx30 ZN Ø 6,3xL (Refer to TDS no. 4148).
- SUPER WINGTEKS 12,5 TF/Star30 2C Ø 6,3xL (Refer to TDS no. 4146).

## PERFORMANCE

### Drilling time :

- Tested materials: Building S355 JR.
- Used tools: Screwdriver FEIN ASCM 18-4 QM AS with torque limiter and depth Stop.

Drilling test	Unit	Ø 6.3
Drilling Time	s/mm	< 2
Rotational speed	RPM	2000 <sup>1</sup>
Axial load	dan	27

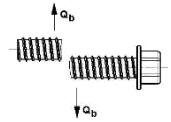
<sup>1</sup> Real under load: 1800 rpm

### Characteristic resistances:

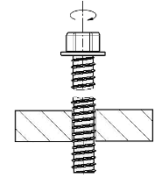
- Characteristic tensile strength:  $\bar{x} = 1615 \text{ daN}$



- Characteristic shear strength - 0.6 x Rm:  $\bar{x} = 969 \text{ daN}$



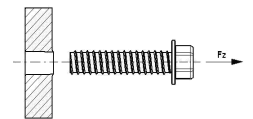
- Characteristic torsion strength:  $\bar{x} = 16 \text{ Nm}$



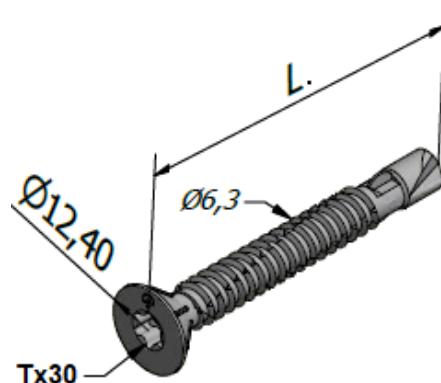
- Pure tensile strength (Pk) according to NF P 30-310 standard:

Support Thickness (mm)	daN
S320 - 2 mm	331
S320 - 2.5 mm	425
S235 - 3 mm	580
S235 - 4 mm	812
S235 - 6 mm	1161

The indicated values don't include the safety factors and are indicative



## DIMENSIONS & CODES



Ø x L. (mm)	CP (mm)	CS mini (mm)	CA maxi (mm)	Pattern	Cond.	Code
6.3 x 35	2 to 6	-	14	Torx 30	100	288 635
6.3 x 50	2 to 6	-	29	Torx 30	500	288 880
6.3 x 50	2 to 6	-	29	Torx 30	100	288 881
6.3 x 60	2 to 6	-	39	Torx 30	500	288 885
6.3 x 60	2 to 6	-	39	Torx 30	100	288 886
6.3 x 70	2 to 6	-	49	Torx 30	500	288 889
6.3 x 70	2 to 6	-	49	Torx 30	100	288 883
6.3 x 80	2 to 6	-	59	Torx 30	500	288 890
6.3 x 80	2 to 6	-	59	Torx 30	100	288 891
6.3 x 90	2 to 6	30	69	Torx 30	100	288 690
6.3 x 110	2 to 6	50	89	Torx 30	100	288 691

Ø : Nominal diameter – L : Length – CS<sub>mini</sub>: Minimum clamping capacity – CA<sub>maxi</sub>: Maximum assembly capacity – CP : Drilling capacity – Cond. : Packaging

## CONFORMITY

- The characteristic resistances are the result of tests carried out by the LR ETANCO laboratory.
- Reaction to fire: A1 according to NF EN 13501-1.

## MARKING & LABELLING

- On packaging: WINGTEKS 6 TF/Tx30 ZN – Ø 6.3 x L + CODE.

## QUALITY CONTROL

- ISO 9001 certified quality management system according in force certificate.

## NOTE

These products are intended for professional installers landlords whose the related service includes supply and installation. In accordance with rules and normative regulation, it's their responsibility to check that the use of these products is in conformity to themselves needs and their customers. They have to insure as well the adequacy of this material with their real operating conditions. The company excludes any guarantee for the use that does not respect these conditions. His responsibility is limited to the strict compliance with the specifications stipulated on the customer's purchase order. The guarantee is limited to the replacement of defective parts acknowledged by the Company's technical service, without workforce costs and travel expenses. It excludes material damage or physical injury and others direct or indirect damages, material or immaterial, which may result from defective parts including installation that not complying with the use for which they are designed and produced.

Registration date: 26/08/2025 – Revision D

LR ETANCO is a member of:



ETANCO - Parc les Érables - Bât. 1 - 66 Route de Sartrouville  
78231 Le Pecq Cedex France - [www.etanco.eu](http://www.etanco.eu)  
Tel: 01 34 80 52 00 – [commercial.france@etanco.fr](mailto:commercial.france@etanco.fr)