

SUPER WINGTEKS 12.5 TF/Star30 – SUPRACOAT 2C – Ø 6.3 x L



PRODUCT DEFINITION

- Self-drilling bi-metal screw Ø 6.3 mm.
- Torx countersunk head Ø 12.4 mm with ribs under head.
- Pattern Star n°30.
- 1.25 mm pitch. Drilling point.

APPLICATION

- Fastening for wood element on metallic frames.
- Non-aggressive environment.
- Drilling capacity (CP): 6 to 12.5 mm of steel.

MATERIAL & FINISH

Material:

- Screws: Treated steel.

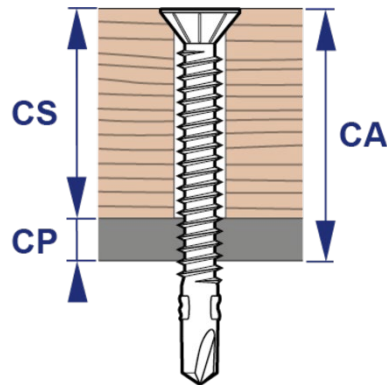
Finish:

- 2C: SUPRACOAT 2C – Thickness ≥ 12 µm according to ISO 4042.

Corrosion resistance:

- Determined Kesternich test according to NF EN ISO 22479:
Resist to 15 cycles without appearance red rust.
- Salt spray test according to NF EN ISO 9227:
No trace of red rust after 500 hours.

INSTALLATION



CP: Drilling Capacity – CS: Clamping Capacity – CA: Assembly Capacity

- The assembly is done out using a FEIN ASCM 18-4 QM AS screwdriver with torque limiter and depth gauge with a drive bit Star 30.

Unauthorized machines:

- Nutrunners , impact wrenches, impact screwdrivers are not suitable for assembly work and are strictly forbidden to use.

Recommended tools:

- Screwdriver box FEIN ASCM 18-4 QM AS battery-powered + Starter set with 2 batteries and 1 charger (code: 321 688).
- Depth stop for FEIN ASCM 18-4 QM AS (code: 321 686).
- Magnetic bit holder in Stainless steel (Code: 323 105).
- Drive bit Star 30 Lg 25mm (Code: 325 051).

Associated Products:

- WINGTEKS 3 TF/Tx20 ZN Ø 4,2xL (Refer to TDS no. 4542).
- WINGTEKS 4 TF/Tx25 ZN Ø 4,8xL (Refer to TDS no. 4541).
- WINGTEKS 5 TF/Tx25 ZN Ø 5,5xL (Refer to TDS no. 4543).
- WINGTEKS 6 TF/Tx30 ZN Ø 6,3xL (Refer to TDS no. 4147).
- WINGTEKS 10 TF/Tx30 ZN Ø 6,3xL (Refer to TDS no. 4148).

PERFORMANCES

Drilling time :

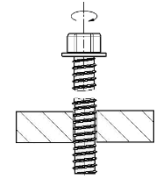
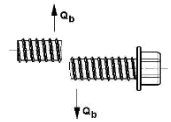
- Tested materials: Building steel S355 JR.
- Used tools: Screwdriver FEIN ASCM 18-4 QM AS with torque limiter and depth stop.

Drilling test	Unit	Ø 6.3
Drilling Time	s/mm	< 2
Rotation speed	RPM	2000 ¹
Axial load	dan	27

¹ Real under load: 1800 rpm

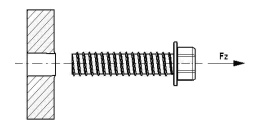
Characteristic resistances:

- Characteristic tensile Strength: $\bar{x} = 1615 \text{ daN}$
- Characteristic shear strength - 0.6 x Rm: $\bar{x} = 969 \text{ daN}$
- Characteristic torsion strength: $\bar{x} = 16 \text{ Nm}$
- Pure tensile strength (Pk) according to NF P 30-310.

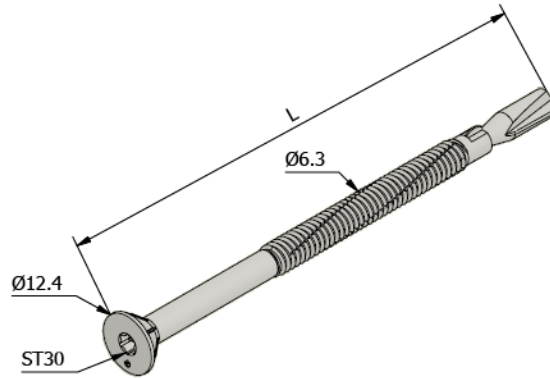


Support Thickness (mm)	daN
S235 - 6 mm	1780 ²
S235 - 8 mm	1780 ²
S235 - 10 mm	1780 ²
S235 - 12 mm	1780 ²

² Breaking
The indicated values don't include the safety factors and are indicative



DIMENSIONS & CODES



Ø x L. (mm)	CP (mm)	CS mini (mm)	CA maxi (mm)	Pattern	tern	Code
6.3 x 85	6 to 12.5	15	55	Star 30	100	288 846
6.3 x 109	6 to 12.5	40	80	Star 30	100	288 845

Ø : Nominal diameter – L : Length – CS_{mini}: Minimum clamping capacity – CA_{maxi} : Maximum assembly capacity – CP : Drilling capacity – Cond. : Packaging

CONFORMITY

- The characteristic resistances are the result of tests carried out by the LR ETANCO laboratory.
- Reaction to fire: A1 according to NF EN 13501-1.

MARKING & LABELLING

- On packaging: SUPER WINGTEKS 12.5 TF/Star30 2C – Ø 6.3 x L + CODE.

QUALITY CONTROL

- ISO 9001 certified quality management system according in force certificate.

NOTE

These products are intended for professional installers landlords whose the related service includes supply and installation. In accordance with rules and normative regulation, it's their responsibility to check that the use of these products is in conformity to themselves needs and their customers. They have to insure as well the adequacy of this material with their real operating conditions. The company excludes any guarantee for the use that does not respect these conditions. His responsibility is limited to the strict compliance with the specifications stipulated on the customer's purchase order. The guarantee is limited to the replacement of defective parts acknowledged by the Company's technical service, without workforce costs and travel expenses. It excludes material damage or physical injury and others direct or indirect damages, material or immaterial, which may result from defective parts including installation that not complying with the use for which they are designed and produced.

Registration date: 26/08/2025 – Revision D

LR ETANCO is a member of:



ETANCO - Parc les Érables - Bât. 1 - 66 Route de Sartrouville
78231 Le Pecq Cedex France - www.etanco.eu
Tel: 01 34 80 52 00 – commercial.france@etanco.fr