

Manufacturer: ETANCO (FRANCE)

Parc les Erables – Bât 1 – 66 route de Sartrouville – BP 49 – 78231 LE PECQ Cedex

Tel. : 01 34 80 52 00 – Fax : 01 30 71 01 89

Product name:

GOLDOVIS 12 TH8/ ZBJ or 2C or 3C Ø 5.5 x 32

Application :

Sheet of steel-on-steel beam

Description:

Self-drilling screw Ø 5.5 mm

Hex head of 8 mm Natural finish

with flange Ø15 / 1.5 mm thickness

Pitch 1,81 mm. Drill point

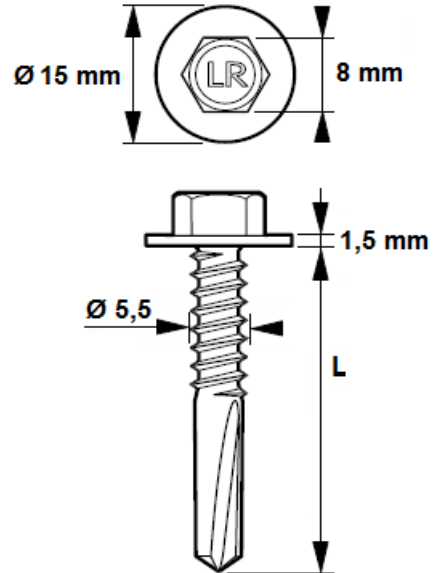
Drilling capacity (CP):

4 to 12 mm into steel sheet

Material:

Cemented steel 20MB5 - SAE 1020 - JIS SWRCH22A.

Surface hardness HV0.5 _ 550 < HV < 750



Material, coating and test of corrosion resistance:

- **ZBJ:** Hardened steel yellow zinc plated (3 to 5 µm thickness of zinc)
Corrosion resistance level determined by Kesternich test (sulfur dioxide corrosion with general dampness condensation) according to NF EN 3231 (2 l)
Resisted to 2 cycles

Salt spray test according to NF ISO 9227 (March 2007):

No trace of red rust after 48 hours.

- **2C: SUPRACOAT 2C** coated cemented steel (12 to 20 µm):

Corrosion resistance level determined by Kesternich test (sulfur dioxide corrosion with general dampness condensation) according to NF EN 3231 (2 l)

Resisted to 15 cycles before the appearance of red rust

Salt spray test according to NF ISO 9227 (March 2007):

No trace of red rust after 500 hours.

- **3C: SUPRACOAT 3C** coated cemented steel:

Corrosion resistance level determined by Kesternich test (sulfur dioxide corrosion with general dampness condensation) according to NF EN 3231 (2 l)

Resisted to 30 cycles before the appearance of red rust

Salt spray test according to NF ISO 9227 (March 2007):

No trace of red rust after 1000 hours.

Drilling time Performance:

- Conditions: a) Test material : Structural steel S355 JR
 b) Tools used : Drilling test with SCS Fein 6.3-19X power 400 W mini with torque limiter and depth control

Drilling test	Unit	Ø 4.8	Ø 5.5	Ø 6.3 & 6.5
Drilling time	s/mm	< 2	< 2	< 2
Speed rotate	rpm	2000 *	2000 *	2000 *
Axial load	daN	16	20	27

* Under load: 1800 rotations/min

Drilling Capacity, diameter, length (in mm) and packaging:

Drilling capacity	Ø x Length	CS Capacity of mini tightening	Assembly capacity CA maxi	Hex head TH	Packaging
4 to 12	5.5 x 32	-	12	8	100

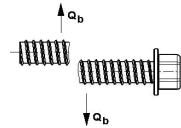
Characteristic tensile strength:

$$\bar{x} = 1176 \text{ daN}$$



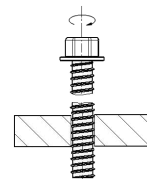
Characteristic shearing strength – 0.6 x Rm:

$$\bar{x} = 705 \text{ daN}$$



Characteristic torsion strength:

$$\bar{x} = 10 \text{ Nm}$$

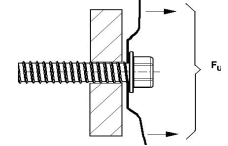


Tensile strength value (Pk in daN) of top sheet - According to NF P 30-314

Thickness of sheet steel (mm)		Steel sheet support (S235)				
Superior steel sheet (S320)		4 mm	6 mm	8 mm	10 mm	12 mm
0.75 mm		601*	601*	601*	601*	601*

Important: these values do not include safety coefficients and are provided for information purposes only.

* Buckling

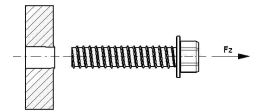


Tensile strength test value (Pk in daN) – According to NF P 30-310

Thickness of Steel sheet support (S320)				
4 mm	6 mm	8 mm	10 mm	12 mm
707	985	1280**	1280**	1280**

Important: these values do not include safety coefficients and are provided for information purposes only.

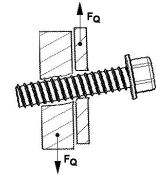
** Breaking point



Shearing strength test value (Pk in daN) – According to NF P 30-316

Thickness of sheet steel (mm)		daN
Superior steel sheet (S320)	Steel sheet support (S235)	
0.75	4	-
0.75	6	-
0.75	8	-
0.75	10	-
0.75	12	-

Important: these values do not include safety coefficients and are provided for information purposes only.



Accordance:

DTU 43.3 based on NF P 84-206
French professional regulations related to cladding

Recommended tools:

Screwdriver FEIN SCS 6.3 -19X power 400 W mini with torque limiter and depth control
Bit holder and screw bit: 8 mm hexagonal socket

Marking - Labelling:

GOLDOVIS 12 TH8 / ZBJ – Ø 5.5 x 32 + article number
GOLDOVIS 12 TH8 / 2C – Ø 5.5 x 32 + article number
GOLDOVIS 12 TH8 / 3C – Ø 5.5 x 32 + article number

Quality control:

ISO 9001 : 2015