

DRILLNOX 12 TH8 – STAINLESS STEEL A4 – Ø 5.5 x L



ETA 10/0181
ETA 25/0616



PRODUCT DEFINITION

- Self-drilling screw Ø 5.5 mm bi-metal.
- Hex head of 8 mm.
- Ø 10.5 mm flange.
- A4 stainless steel.
- Natural or painted head.
- 1 mm pitch.
- Drill point.
- Can be mounted with a VULCA washer.

APPLICATION

- Roofing: Fixing of steel and aluminium sheets at the top of the corrugation or fixing of steel sheets on the bottom (with VULCA stainless steel Ø19 washer) on a metal frame.
- Hot aluminium roofing with standing seam: Fixing of the edge legs (fixed point) with a parallel or cross grid on a metal frame.
- Single-skin cladding: Fixing of steel and aluminium sheets on a metal frame.
- Very aggressive environment (off the seafront).
- Drilling capacity (CP): 4 to 12 mm of steel.

MATERIAL & COATING

Material:

- Screw body: Austenitic stainless steel A4 – 1.4404 - AISI 316L.
- Drill point and first threads: Treated carbon steel.
- VULCA washer: A2 (VI) stainless steel + EPDM (Ethylene Propylene Diene Monomer).

Painting:

- Epoxy, polyester or polyurethane paint (wide range of colours available).
- Painting thickness according to TDS n°4453.
- The colour coating only gives an aesthetic character. It does not prejudice nominal mechanical strengths. In the event of degradation of the coating, this product retains its performance and does not deviate from the main function for which it is intended.

Corrosion resistance:

- Screw Body:
 - By Kesternich test according to NF EN ISO 22479:
Resist to more 30 cycles without the appearance of red rust.
 - By salt spray test according to NF EN ISO 9227:
No trace of red rust after 1000 hours.
- Drill point and 1st threads with surface coating:
 - By salt spray test according to NF EN ISO 9227:
No trace of red rust after 200 hours.

Registration date: 06/01/2026 – Revision G

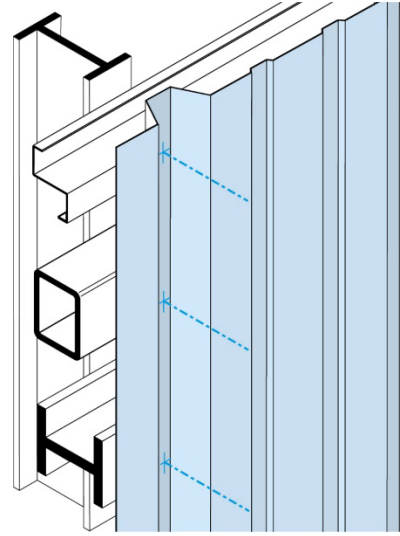
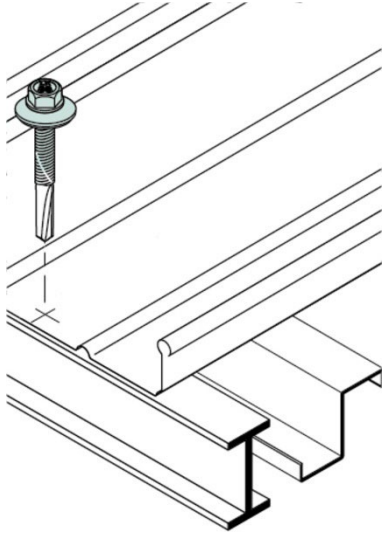
LR ETANCO is a member of:



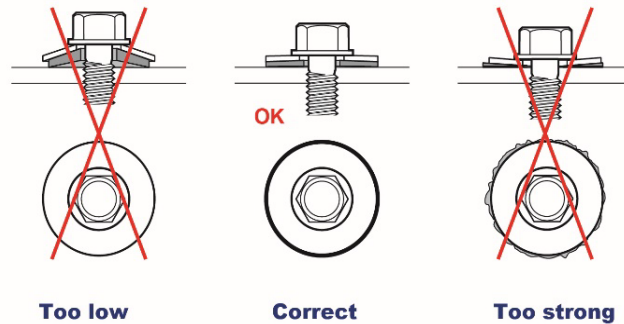
LR ETANCO - Parc les Érables - Bât. 1 - 66 Route de Sartrouville
78231 Le Pecq Cedex France - www.etanco.eu

Tel: 01 34 80 52 00 - commercial.france@etanco.fr

INSTALLATION



- The assembly is carried out using a FEIN ASCM 18-4 QM AS screwdriver with torque limiter and depth gauge with an 8 mm hexagonal socket.



Unauthorized machines:

- Nutrunners, impact wrenches, impact screwdrivers are not suitable for assembly work and are strictly forbidden to use.

Recommended tools:

- FEIN ASCM 18-4 QM AS battery-powered screwdriver set + 2 batteries and 1 charger (code: 321 688).
- Depth stop for FEIN ASCM 18-4 QM AS (code: 321 686).
- 8 mm Lg 65 mm hexagonal socket (code: 323 500).

Associated Products:

- DRILLNOX 3T INOX A2 TH8 Ø4,8xL (refer to TDS n° 4001).
- DRILLNOX 3 INOX A4 TH8 Ø6,3xL (refer to TDS n° 4005).
- DRILLNOX 3,5 INOX A4 TH8 Ø5,5xL (refer to TDS n° 4006).
- DRILLNOX 6 INOX A2 TH8 Ø5,5xL (refer to TDS n°4584).
- DRILLNOX 6 INOX A4 TH8 Ø5,5xL (refer to TDS n° 4009).
- DRILLNOX 12 INOX A2 TH8 Ø5,5xL (refer to TDS n°4586).
- DRILLNOX SPIRAL 18 INOX A4 TH8 Ø5,5xL (refer to TDS n° 4167).

PERFORMANCE

Mechanical properties of the EPDM of the VULCA washer:

- Hardness : 58 ± 5 SHORE A.

Drilling time :

- Materials tested: S355 JR structural steel.
- Tools used: FEIN ASCM 18-4 QM AS screwdriver with torque limiter and depth gauge.

Drilling test	Unit	Ø 5.5
Drilling Time	dry/mm	< 2
Rotational speed	RPM	2000 ¹
Axial load	daN	20

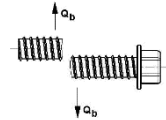
¹ Actual under load: 1800 rpm

Characteristic resistances:

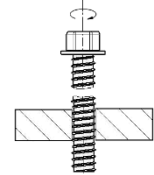
- Characteristic tensile Strength: $\bar{x} = 904 \text{ daN}$



- Characteristic shear strength - 0.6 x Rm: $\bar{x} = 542 \text{ daN}$



- Characteristic torsional strength: $\bar{x} = 7.5 \text{ Nm}$

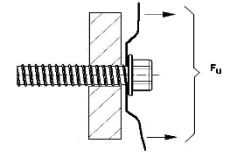


- Pull-out resistance (Pk) according to the NF P 30-314 standard:

Top Plate Steel	Steel support sheet	Pk to daN
S320 - 0.75 mm	S235 - 4 mm	561 ²
	S235 - 6 mm	561 ²
	S235 - 8 mm	561 ²
	S235 - 10 mm	561 ²
	S235 - 12 mm	561 ²

² Unbuttoning

The values indicated do not include safety factors

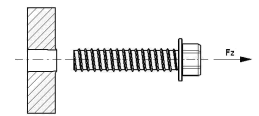


- Pull-out resistance (Pk) according to the NF P 30-310 standard:

Thickness of the support Steel	Pk to daN
S235 - 4 mm	712
S235 - 6 mm	1159 ³
S235 - 8 mm	1159 ³
S235 - 10 mm	1159 ³
S235 - 12 mm	1159 ³

³ Breaking the Fastener

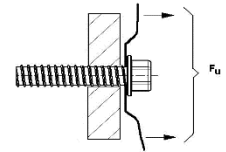
The values indicated do not include safety factors



- Pull-out resistance (NR,k) according to Annex 7 of ETA 10/0181:

Top Plate Steel	Steel support sheet	NR,k to daN
S280 to S320 - 0.75 mm	S320 - 4 mm	328
	S320 - 6 mm	328
	S320 - 8 mm	328
	S320 - 10 mm	328
	S320 - 12 mm	328

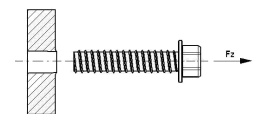
The values indicated do not include safety factors



- Pull-out resistance (NR,k,II) according to Annex 7 of ETA 10/0181:

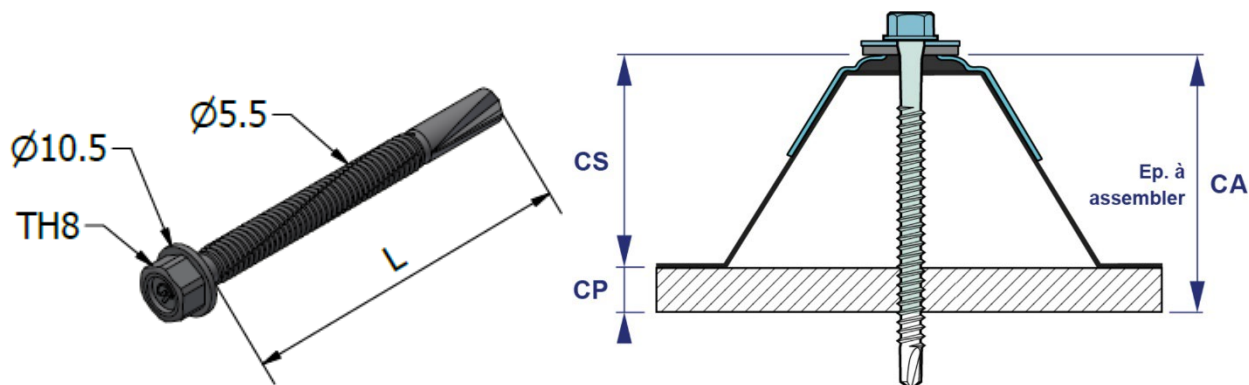
Thickness of the support Steel	NR,k,II to daN
S320 - 4 mm	445
S320 - 6 mm	568
S320 - 8 mm	650
S320 - 10 mm	754
S320 - 12 mm	754

The values indicated do not include safety factors



- The values of NR,k and NR,k,II in the above tables are taken from the ETA of fixation. For more information or for other cases, please refer to the ETA of the fixation.

DIMENSIONS & CODES



Ø x L (mm)	CP (mm)	CS mini (mm)	CA maxi (mm)	Hex Head	VULCA washer	Cond.	Code Natural	Code painted
5.5 x 40	4 to 12	-	15	8	-	100	372 367*	372 372*
5.5 x 40 + VI 14	4 to 12	-	13	8	14	100	372 374*	372 370*
5.5 x 40 + VI 16	4 to 12	-	13	8	16	100	372 368	372 377
5.5 x 40 + VI 19	4 to 12	-	12	8	19	100	372 369	372 371
5.5 x 62	4 to 12	11	31	8	-	100	372 441*	-
5.5 x 62 + VI 16	4 to 12	9	29	8	16	100	372 464	372 466
5.5 x 62 + VI 19	4 to 12	8	28	8	19	100	372 468	-
5.5 x 80	4 to 12	29	49	8	-	100	372 460*	372 461*
5.5 x 80 + VI 16	4 to 12	27	47	8	16	100	372 462	372 465
5.5 x 80 + VI 19	4 to 12	26	46	8	19	100	372 463	-
5.5 x 100	4 to 12	39	69	8	-	100	372 470*	-
5.5 x 100 + VI 16	4 to 12	37	67	8	16	100	372 472	372 475
5.5 x 100 + VI 19	4 to 12	36	66	8	19	100	372 476	-

* Product not CE marked.

Ø : Nominal diameter - L : Length - CS_{mini} : Minimum clamping capacity - CA_{maxi} : Maximum assembly capacity - CP : Drilling capacity - Cond. : Packaging

CONFORMITY

- European Technical Assessment N°10/0181 issued by the DIBT according to the European Assessment Document 330046-01-0602.
- European Technical Assessment N°25/0616 issued by ETA-DANMARK according to European Assessment Document 330046-01-0602.
- Complies with NF DTU 40.35: Corrugation plate roofing from coated steel sheets.
- Complies with NF DTU 40.36: Cover made of corrugation aluminium sheets, pre-painted or not.
- Complies with RAGE Professional Recommendations: Protected Steel and Stainless-Steel Cladding.
- Seafront: Conditions of direct attack by seawater, the choice of fastening material must be confirmed by LR ETANCO or be according to the selection guide of the fastener installation reference (DTU, RAGE/PACTE professional recommendations, etc.).
- The characteristic resistance P_k are the result of tests carried out by the LR ETANCO laboratory.
- The characteristic resistance N_{Rk} and $N_{Rk,II}$ are extracted from the European Technical Evaluations.
- Reaction to fire: A1 according to NF EN 13501-1 (only for the screw).

MARKING & LABELLING

- On packaging, natural screw: DRILLNOX 12 TH8 A4 - Ø 5.5 x L + CODE.
- On packaging, painted screw: DRILLNOX 12 TH8 A4 - Ø 5.5 x L + COLOUR + CODE.
- On packaging, natural screw with washer: DRILLNOX 12 TH8 A4 - Ø 5.5 x L + VI Ø + CODE.
- On packaging, painted screw with washer: DRILLNOX 12 TH8 A4 - Ø 5.5 x L + VI Ø + COLOUR + CODE.

QUALITY CONTROL

- ISO 9001 certified quality management system according to certificate in force.

NOTE

The information contained in this document is given in good faith and for general information purposes only. They reflect the state of our knowledge at the time of writing. As the possibilities of use of our products are numerous, and may be beyond our control, we cannot be held liable in any way in the event of misuse of our products. The information provided can only be considered as a suggestion for use without taking into account existing patents or national or local legal or regulatory requirements. The buyer is required to check whether the possession or use of our products is subject to special rules on its territory, in particular in terms of public affairs, health and safety of workers and consumers. It also assumes the sole responsibility of providing information and advice to the end user. Failure to comply with these regulations, regulations and duties cannot give rise to any liability under any circumstances.