

## DRILLNOX 3T TH8 – STAINLESS STEEL A4 – Ø 6.3 x L



### PRODUCT DEFINITION

- Self-drilling screw Ø 6.3 mm bi-metal.
- Hex head of 8 mm.
- Ø 10.5 mm flange.
- A4 stainless steel.
- Natural or painted head.
- 1.81 mm pitch.
- Drill point.
- Can be mounted with a VULCA washer.

### APPLICATION

- Roofing: Stitching of steel and aluminium sheets.
- Cladding: Stitching of steel and aluminium sheets.
- Very aggressive environment (off the seafloor).
- Drilling capacity (CP): 2 to 3 x 0.75 mm of steel.

### MATERIAL & COATING

#### Material:

- Screw body: Austenitic stainless steel A4 – 1.4404 - AISI 316L.
- Drill point and first threads: Treated carbon steel.
- VULCA washer: A2 (VI) stainless steel + EPDM (Ethylene Propylene Diene Monomer).

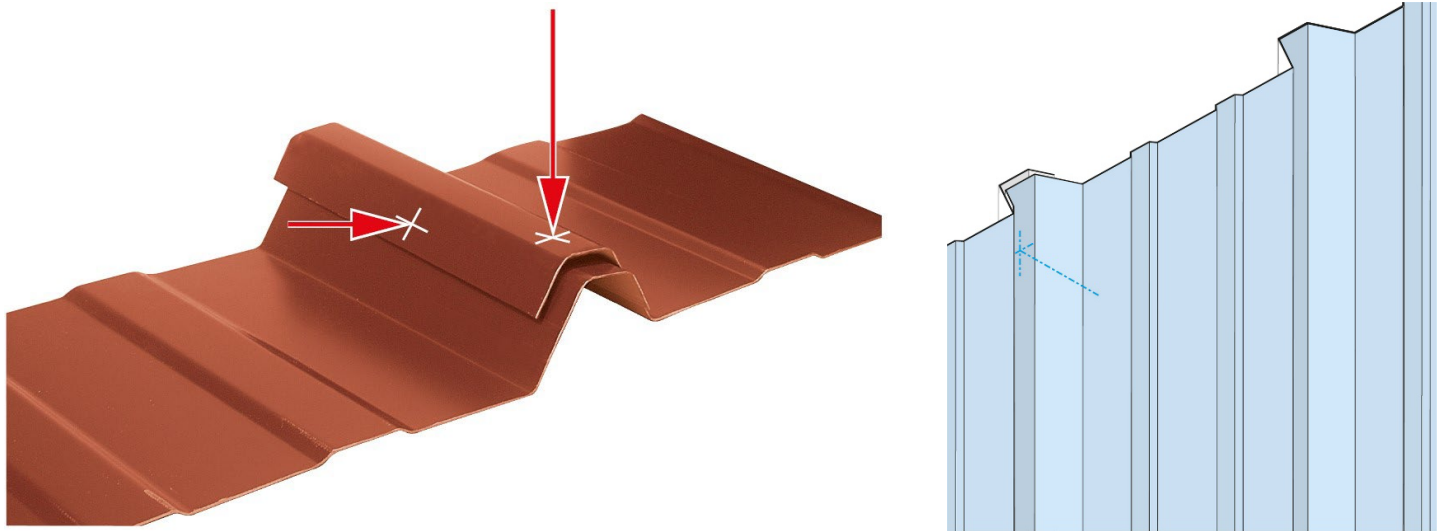
#### Painting:

- Epoxy, polyester or polyurethane paint (wide range of colours available).
- Painting thickness according to TDS n° 4453.
- The colour coating only gives an aesthetic purpose. It does not prejudice nominal mechanical properties. On case of coating degradation, this product keeps its performance and does not derogate from the main function for which it is intended.

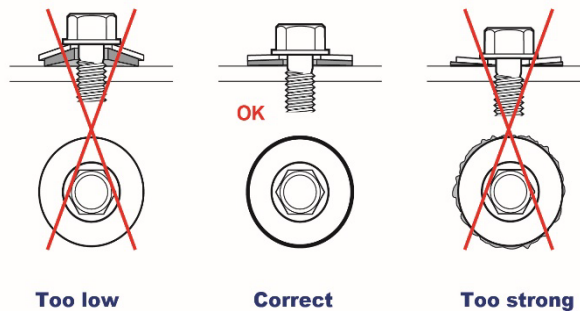
#### Corrosion resistance:

- Screw Body:
  - By Kesternich test according to NF EN ISO 22479: Resist to more 30 cycles without the appearance of red rust.
  - By salt spray test according to NF EN ISO 9227: No trace of red rust after 1000 hours.
- Drill point and 1st threads with surface coating:
  - By salt spray test according to NF EN ISO 9227: No trace of red rust after 200 hours.

## INSTALLATION



- The assembly is carried out using a FEIN ASCM 18-4 QM AS screwdriver with torque limiter and depth gauge with an 8 mm hexagonal socket.



### Unauthorized machines:

- Nutrunners, impact wrenches, impact screwdrivers are not suitable for assembly work and are strictly forbidden to use.

### Recommended tools:

- FEIN ASCM 18-4 QM AS battery-powered screwdriver set + 2 batteries and 1 charger (code: 321 688).
- Depth stop for FEIN ASCM 18-4 QM AS (code: 321 686).
- 8 mm Lg 65 mm hexagonal socket (code: 323 500).

### Associated products:

- DRILLNOX 3T INOX A2 TH8 Ø4,8xL (refer to TDS n° 4001).
- DRILLNOX 3 INOX A4 TH8 Ø 6.3xL (refer to TDS n° 4005).
- DRILLNOX 3,5 INOX A4 TH8 Ø5,5xL (refer to TDS n° 4006).
- DRILLNOX 6 INOX A4 TH8 Ø5,5xL (refer to TDS n° 4009).
- DRILLNOX 6 INOX A2 TH8 Ø5,5xL (refer to TDS no. 4584).
- DRILLNOX 12 INOX A4 TH8 Ø5,5xL (refer to TDS n° 4011).
- DRILLNOX 12 INOX A2 TH8 Ø5,5xL (refer to TDS n° 4586).
- DRILLNOX SPIRAL 18 INOX A4 TH8 Ø5,5xL (refer to TDS n° 4167).

## PERFORMANCE

Mechanical properties of the EPDM of the VULCA washer:

- Hardness : 58 ± 5 SHORE A.

Drilling time :

- Materials tested: S355 JR structural steel.
- Tools used: FEIN ASCM 18-4 QM AS screwdriver with torque limiter and depth gauge.

Drilling test	Unit	Ø 6.3
Drilling Time	dry/mm	< 2
Rotational speed	RPM	2000 <sup>1</sup>
Axial load	daN	27

<sup>1</sup> Real under load: 1800 rpm

Characteristic resistances:

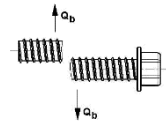
- Characteristic tensile strength:

$$\bar{x} = 1076 \text{ daN}$$



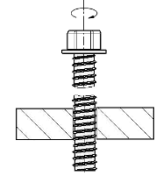
- Characteristic shear strength - 0.6 x Rm:

$$\bar{x} = 645 \text{ daN}$$



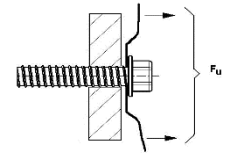
- Characteristic torsional strength:

$$\bar{x} = 14 \text{ Nm}$$



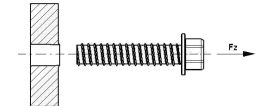
- Pull-out resistance (Pk) in accordance with the NF P 30-314 standard.

Top Plate Steel	Steel support sheet	Pk to daN
S320 - 0.75 mm	S320 - 2 x 0.75 mm	233
S320 - 0.75 mm	S320 - 3 x 0.75 mm	421
The values indicated do not include safety factors		



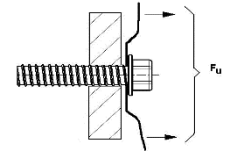
- Pull-out resistance (Pk) in accordance with the NF P 30-310 standard:

Thickness of the support Steel	Pk to daN
S320 - 2 x 0.75 mm	233
S320 - 3 x 0.75 mm	421
The values indicated do not include safety factors	



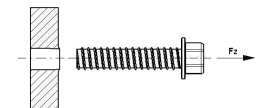
- \*Pull-out strengths (NR,k) in accordance with EAD 330046-01-0602:

Top Plate Steel	Steel support sheet	NR,k to daN
S280 to S320 - 0.75 mm	S280 to S320 - 2 x 0.75 mm	260
The values indicated do not include safety factors		

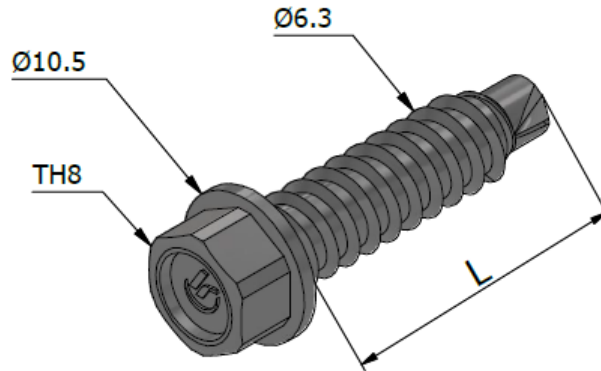


- Pull-out strengths (NR,k,II) in accordance with EAD 330046-01-0602:

Thickness of the support Steel	NR,k,II to daN
S280 to S320 - 2 x 0.75 mm	260
The values indicated do not include safety factors	



## DIMENSIONS & CODES



Ø x L (mm)	CP (mm)	CS mini (mm)	CA maxi (mm)	Hex Head	VULCA washer	Cond.	Code Natural	Code lacquered
6.3 x 25	2 to 3 x 0.75	-	6	8	-	100	372 399*	372 418*
6.3 x 25 + VI 14	2 to 3 x 0.75	-	4	8	14	100	372 416	372 417
6.3 x 25 + VI 16	2 to 3 x 0.75	-	4	8	16	100	372 400	372 405
6.3 x 25 + VI 19	2 to 3 x 0.75	-	3	8	19	100	372 402	376 231
6.3 x 25 + VI 22	2 to 3 x 0.75	-	3	8	22	100	372 749	-

\* Product not CE marked.

Ø : Nominal diameter - L : Length - CS mini: Minimum clamping capacity - CA maxi: Maximum assembly capacity - CP : Drilling capacity - Cond. : Packaging

**CONFORMITY**

- European Technical Assessment No. 25/0616 issued by ETA-DANMARK according to European Assessment Document 330046-01-0602.
- According with NF DTU 40.35: Ribbed plate roofing from coated steel sheets.
- According with NF DTU 40.36: Roof made of ribbed aluminium sheets, pre-painted or not.
- According with RAGE Professional Recommendations: Protected Steel and Stainless-Steel Cladding.
- The characteristic resistances are the result of tests carried out by the LR ETANCO laboratory.
- Reaction to fire: A1 according to NF EN 13501-1 (only for the screw).

**MARKING & LABELLING**

- On packaging, natural screw: DRILLNOX 3T TH8 A4 - Ø 6.3 x L + CODE.
- On packaging, painted screw: DRILLNOX 3T TH8 A4 - Ø 6.3 x L + COLOUR + CODE.
- On packaging, natural screw with washer: DRILLNOX 3T TH8 A4 - Ø 6.3 x L + VI Ø + CODE.
- On packaging, painted screw with washer: DRILLNOX 3T TH8 A4 - Ø 6.3 x L + VI Ø + COLOUR + CODE.

**QUALITY CONTROL**

- ISO 9001 certified quality management system according to certificate in force.

**NOTE**

The information contained in this document is given in good faith and for general information purposes only. They reflect the state of our knowledge at the time of writing. As the possibilities of use of our products are numerous, and may be beyond our control, we cannot be held liable in any way in the event of misuse of our products. The information provided can only be considered as a suggestion for use without taking into account existing patents or national or local legal or regulatory requirements. The buyer is required to check whether the possession or use of our products is subject to special rules on its territory, in particular in terms of public affairs, health and safety of workers and consumers. It also assumes the sole responsibility of providing information and advice to the end user. Failure to comply with these regulations, regulations and duties cannot give rise to any liability under any circumstances.

**Registration date: 26/06/2026 - Revision G**

LR ETANCO is a member of:

**LR ETANCO** - Parc les Érables - Bât. 1 - 66 Route de Sartrouville78231 Le Pecq Cedex France - [www.etanco.eu](http://www.etanco.eu)Tel: 01 34 80 52 00 - [commercial.france@etanco.fr](mailto:commercial.france@etanco.fr)