

PERFIX5.5 ALU 3 TH8 SSA2 HI-LOW 5.5x19



PRODUCT DEFINITION

- Self-drilling screw Ø5.5 mm.
- 8 mm hexagonal head.
- Ø10.5 mm under-head flange.
- Twin threads (HI-LOW).
- Partial high thread (FP) with clean stop (AF).
- 2 mm pitch.
- Drill point.

APPLICATION

- Ensures fastening ISOLALU+ brackets to FAÇALU aluminium profiles without clamping them (leaving a slight gap between the bracket and the profile).

Drilling Capacity (CP):

- 2.5 to 3 mm of aluminium sheet.

Assembly Capacity (CA):

- 5.5 mm maximum.

MATERIAL & FINISH

Material:

- Austenitic Stainless Steel A2 (AISI 304) – 1.4301 according to the NF EN 10088 standard.

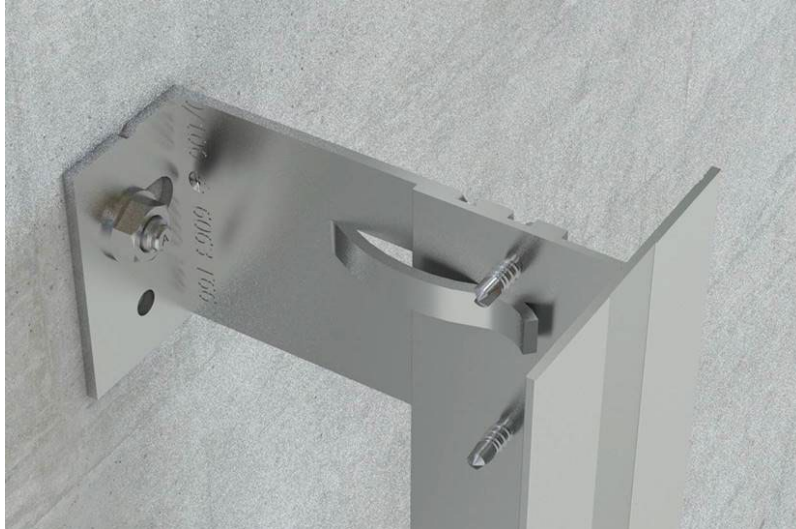
Coating:

- Without.

Corrosion resistance:

- By Kesternich test according to NF EN ISO 22479:
Resist to more than 30 cycles before the appearance of red rust.
- By salt spray test according to NF EN ISO 9227:
No trace of red rust after 1000 hours.

IMPLEMENTATION



- The assembly is done using a FEIN ASCS 6.3 screwdriver with torque limiter and depth stop with an 8 mm hexagonal screwdriver socket.

Unauthorized machines:

- Nutrunners, impact wrenches and impact screwdrivers are not suitable for façade assembly work and are strictly forbidden to use.

Recommended installation tools:

- 18V FEIN ASCS 6.3 battery-powered screwdriver set (code: 321 652).
- Starter set 2 batteries and 1 charger (code: 321 654).
- 8 mm Lg 65 mm hexagonal socket (code: 323 500).

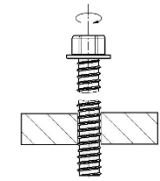
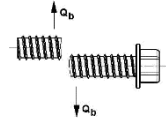
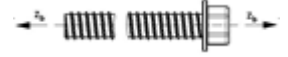
Related Products:

- ISOLALU profiles (refer to TDS n°: 4291 / 4292 / 4470 / 4471 / 4490 / 4491).
- FACALU+ brackets (refer to TDS n°: 4131 / 4296).

PERFORMANCE

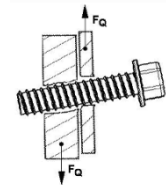
Characteristic resistances:

- Characteristic Tensile Strength: $\bar{x} = 826 \text{ daN}$
- Characteristic Shear Strength – 0.6 x Rm: $\bar{x} = 496 \text{ daN}$
- Characteristic Torsion Strength: $\bar{x} = 7.5 \text{ N.m}$

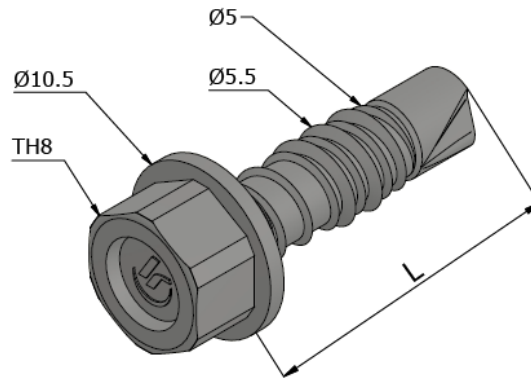


- Shear strength (Pk) In accordance with the NF P 30-316 standard.

Upper element	Support element	Pk to daN
Aluminium 6063 T66 Thickness 2.5 mm Pre-drilled Ø5.5 mm	Aluminium 6063 T66 Thickness 2.5 mm	661
The values indicated do not include safety factors and are indicative		



DIMENSIONS & CODES



Ø x L. (mm)	CS mini (mm)	CA maxi (mm)	Code
5.5 x 19	2,5	5,5	300 901

CS mini: Minimum clamping capacity – CA maxi: Maximum Assembly capacity

CONFORMITY

- French standard DTU 45.4: External thermal insulation systems in built-up cladding with ventilated air space.

MARKING - LABELLING

- PERFIX5.5 ALU 3 TH8 SSA2 HI-LOW Ø5.5 + LENGTH + CODE.

QUALITY CONTROL

- ISO 9001 certified quality management system according to certificate in force.

NOTE

These products are intended for professional installers landlords whose the related service includes supply and installation. In accordance with rules and normative regulation, it's their responsibility to check that the use of these products is in conformity to themselves needs and their customers. They have to insure as well the adequacy of this material with their real operating conditions. The company excludes any guarantee for the use that does not respect these conditions. His responsibility is limited to the strict compliance with the specifications stipulated on the customer's purchase order. The guarantee is limited to the replacement of defective parts acknowledged by the Company's technical service, without workforce costs and travel expenses. It excludes material damage or physical injury and others direct or indirect damages, material or immaterial, which may result from defective parts including installation that not complying with the use for which they are designed and produced.

Registration date: 07/11/2024 – Revision A

LR ETANCO is a member of:



ETANCO - Parc les Érables - Bât. 1 - 66 Route de Sartrouville

78231 Le Pecq Cedex France - www.etanco.eu

Tel: +33 (0)1 34 80 52 00 - commercial.france@etanco.fr