

TORX PANEL WOOD TB12 / TB16 – SS A2 / SS A4 – Ø4,8xL / Ø5,5xL



Ø5,5x38 TB16 stainless steel A2

PRODUCT DEFINITION

- Self-drilling screws Ø4.8 and Ø5.5 mm.
- Ø12 and Ø16 mm pan head with No. 20 Torx drive.
- A2 and A4 stainless steel.
- Natural or painted head.
- Drill tip.
- Some references can be mounted with a stainless steel VULCA washer.

SCOPE OF APPLICATION

- Fixing of façade panels on timber frames in accordance with most of the French technical specifications issued to manufacturers.
- Length 60 mm usually for repair.

Drilling Capacity (CP):

- Wood.

MATERIAL & FINISH

Material :

- **TB12 stainless steel A2 :**
Austenitic stainless steel A2 (AISI 304) – 1.4301 according to standard NF EN 10088.
- **TB12 stainless steel A4:**
Austenitic stainless steel A4 (AISI 316) – 1.4401 according to standard NF EN 10088.
- **TB16 stainless steel A2:**
Austenitic stainless steel A2 (AISI 302HQ) – 1.4567 according to standard NF EN 10088.

Painting:

- Epoxy, polyester or polyurethane paint (wide range of colours available)
- Thickness of painting according to TDS 4453.
- The painting only gives an aesthetic character. It does not prejudice the nominal mechanical strengths.
In case of painting degradation, this product preserves its performance and does not derogate from the main function for which it is intended.

Corrosion resistance: (A2 and A4 stainless steel)

- **By Kesternich test according to NF EN ISO 3231:**
Resist to more than 30 cycles before the appearance of red rust .
- **By salt spray test according to NF EN ISO 9227:**
No trace of red rust after 1000 hours.

IMPLEMENTATION

Designation	Ø Head (mm)	Screw material	Examples of related panels
Ø4,8x38 mm	TB12	Stainless steel A2	Colormat Max universal Hardiepanel wood COVER/SOLID PLANTURAL COPANEL DURABLE ORNIMAT METEON TS150 VETABRIC V-URBAN
Ø4,8x60 mm	TB12	Stainless steel A2	PLANTURAL METEON TS150
Ø4,8x38 mm	TB12	Stainless steel A4	Colormat Elite Max universal Hardiepanel wood PLANTURAL COPANEL DURABLE ORNIMAT METEON TS150 VETABRIC V-URBAN
Ø4,8x60 mm	TB12	Stainless steel A4	PLANTURAL METEON TS150
Ø4,8x38 mm	TB16	Stainless steel A2	Hardiepanel wood
Ø4,8x60 mm	TB16	Stainless steel A2	
Ø5,5x38 mm	TB16	Stainless steel A2	

Ø4.8 mm screws:

- For Ø4.8 mm screws, the assembly is done using a FEIN SCS 4.8 - 25 screwdriver with 450 W power consumption with torque limiter and depth stop with Torx 20 screwdriver bit.

Ø5.5 mm screws:

- For Ø5.5 mm screws, the assembly is done using a FEIN ASCS 6.3 screwdriver with torque limiter and depth stop with a Torx 20 screwdriving bit.

Unauthorized Machines:

Nutrunners, impact wrenches and impact screwdrivers are not suitable for façade assembly work and are strictly forbidden to use.

Recommended installation tools:

Ø4.8 mm screws:

- FEIN SCS 4.8-25 corded screwdriver set (code: 321 670)
- Stainless steel bit holder with magnetic clip Lg 60mm (code: 323 105)
- Torx Screwdriver Bit 20 Lg 25mm (code: 325 090)

Ø5.5 mm screws:


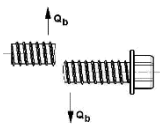
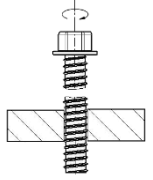
- 18V FEIN ASCS 6.3 battery-powered screwdriver set (code: 321 652) + Starter set 2 batteries and 1 charger (code: 321 654)
- Stainless steel bit holder with magnetic clip Lg 60mm (code: 323 105)
- Torx Screwdriver Bit 20 Lg 25mm (code: 325 090)

Related Products:

- Adhesive flexible lipless seal J100 EPDM black (refer to TDS 4455)
- Black EPDM flexible lipless tape (refer to TDS 4365)
- Black PVC I flexible lipless tape (refer to TDS 4366)
- White PVC flexible lipless tape (refer to TDS 3059)
- PVC flexible lipless tape (refer to TDS 3007)

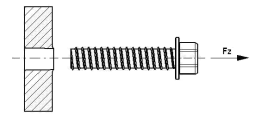
PERFORMANCE

Characteristic strengths:

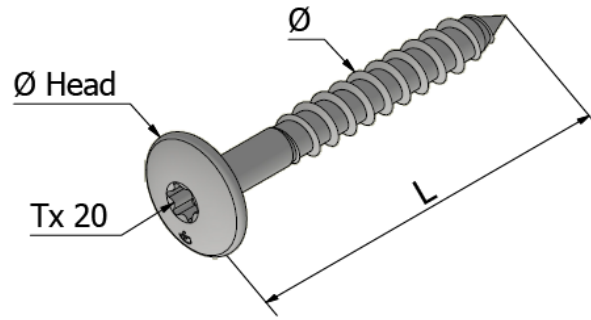
- | | | | |
|---|------|---------------------|---|
| ▪ Characteristic Tensile Strength: | Ø4,8 | $\bar{x} = 537$ daN |  |
| | Ø5.5 | $\bar{x} = 709$ daN | |
| ▪ Characteristic Shear Strength – 0.6 x Rm: | Ø4,8 | $\bar{x} = 322$ daN |  |
| | Ø5.5 | $\bar{x} = 425$ daN | |
| ▪ Characteristic torsion strength: | Ø4,8 | $\bar{x} = 6.5$ Nm |  |
| | Ø5.5 | $\bar{x} = 7.5$ Nm | |
- Pull-out strengths (Pk) in accordance with the NF P 30-310 standard.

Ø x L (mm)	Wood support 450 kg/m3 Anchoring (mm)	daN
Ø4,8x38	26	191
	28	216
Ø4,8x60	44	383
	46	411
	48	423
Ø5,5x38	26	197
	28	220

The indicated values don't include the safety factor and are indicative



DIMENSIONS & CODES



Ø x L. (mm)	Ø Head (mm)	CS _{mini} (mm)	CA _{maxi} (mm)	Ø VULCA (mm)	Screw material	Code	
						Natural	Painted
Ø4,8x38	12	-	12	-	Stainless steel A2	33 107	33 108
Ø4,8x38			10	12		33 125	33 126
Ø4,8x38			10	14		-	33 101
Ø4,8x60	12	-	16	-	Stainless steel A2	33 117	33 118
Ø4,8x60			14	10		33 169	33 133
Ø4,8 x60			14	14		33 163	33 139
Ø4,8x60			16	16		-	33 174
Ø4,8x38	12	-	12	-	Stainless steel A4	33 146	33 148
Ø4,8x38			10	10		33 150	33 167
Ø4,8x38			10	12		-	33 177
Ø4,8x60	12	-	16	-	Stainless steel A4	33 147	33 149
Ø4,8x60			14	10		-	33 168
Ø4,8x38	16	-	12	-	Stainless steel A2	33 132	33 144
Ø4,8x38			10	10		-	33 156
Ø4,8x38			10	12		-	33 175
Ø4,8x38			16	16		-	33 188
Ø4,8x60	16	-	16	-	Stainless steel A2	33 189	33 202
Ø4,8x60			14	12		-	-
Ø5,5x38	16	-	12	-	Stainless steel A2	33 191	33 192

Ø: Nominal diameter - L.: Length - CS mini: Minimum clamping capacity - CA maxi: Maximum assembly capacity

CONFORMITY

- French standard: DTU 45.4.
- Refer to the implementation rules recommended in the technical specifications (CSTB).

MARKING & LABELLING

Ø4.8xL mm TB12 and TB16 :

- On natural packaging: TORX PANEL WOOD + TB12 or TB16 + A2 or A4 + 4.8xLENGTH + Ø RD VULCA + CODE.
- On painted packaging: TORX PANEL WOOD + A2 or A4 + 4.8xLENGTH + Ø RD VULCA + COLOUR + CODE.

Ø5.5xL mm TB16 :

- On natural packaging: TORX PANEL WOOD TB16/Tx20 A2 5.5xLENGTH + CODE.
- On painted packaging: TORX PANEL WOOD A2 5.5xLENGTH + COLOUR + CODE.

QUALITY CONTROL

- ISO 9001 certified quality management system according to certificate in force.

NOTE

These products are intended for professional installers landlords whose the related service includes supply and installation. In accordance with rules and normative regulation, it's their responsibility to check that the use of these products is in conformity to themselves needs and their customers. They have to insure as well the adequacy of this material with their real operating conditions. The company excludes any guarantee for the use that does not respect these conditions. His responsibility is limited to the strict compliance with the specifications stipulated on the customer's purchase order. The guarantee is limited to the replacement of defective parts acknowledged by the Company's technical service, without workforce costs and travel expenses. It excludes material damage or physical injury and others direct or indirect damages, material or immaterial, which may result from defective parts including installation that not complying with the use for which they are designed and produced.

Registration date: 01/19/2024 – Revision A

LR ETANCO is a associate member of:



LR ETANCO - Parc les Érables - Bât. 1 - 66 Route de Sartrouville
78231 Le Pecq Cedex France - www.etanco.eu

Tel: +33 (0)1 34 80 52 00 – commercial.france@etanco.fr