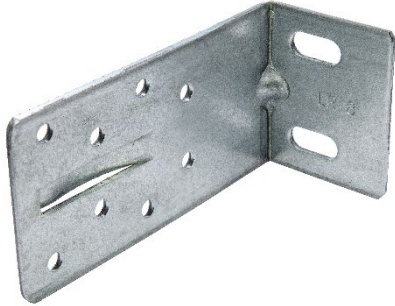


ISOLCO 3000 P2 M8 & M10 CLIP BRACKET - GALVANIZED STEEL



DTU
45.4

CEC
3194

PRODUCT DEFINITION

- Steel bracket - 2,5 mm thickness - cuted - embossed - ribbed.
- External clip for easy installation of vertical frames.

SCOPE OF APPLICATION

- For fixing of vertical metal frames of ventilated insulated or non-insulated facade.
- Excluding sea front.

MATERIAL & FINISH

Material:

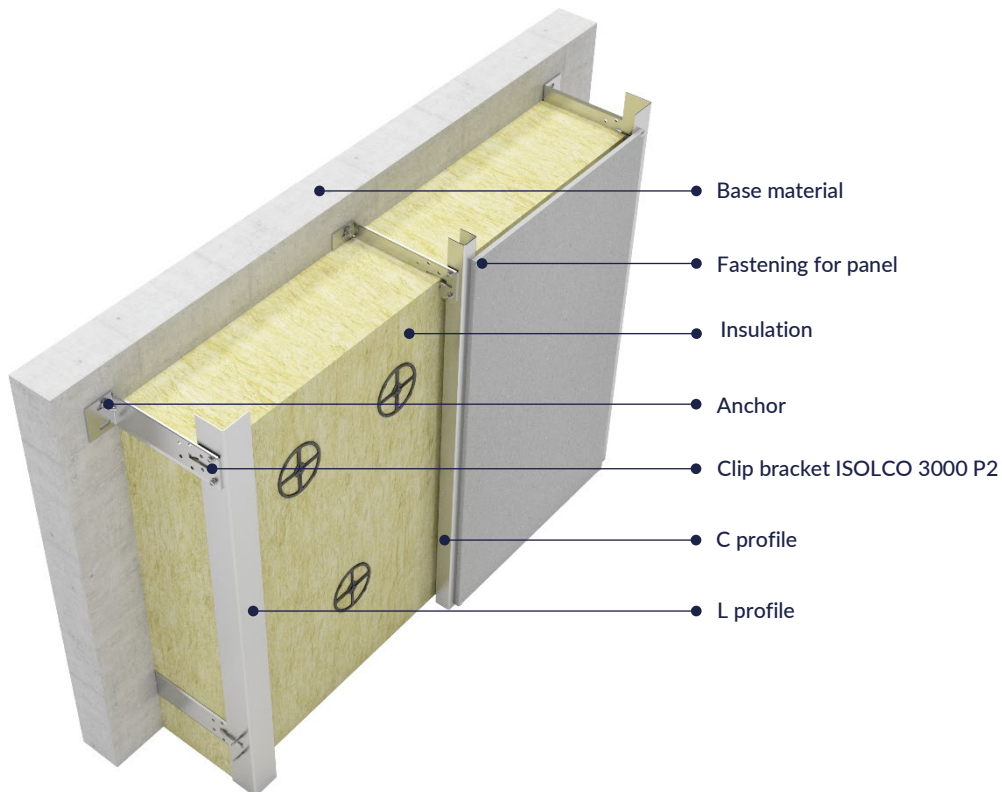
- Steel S220GD - 1.0241 according to NF EN 10346 norm.

Finish:

- Galvanization Z450 - thickness $\geq 32 \mu\text{m}$ according to NF EN 10346 norm.

INSTALLATION

Ventilated facade with single vertical metal frame



Registration date: 2024/04/02 - Revision B

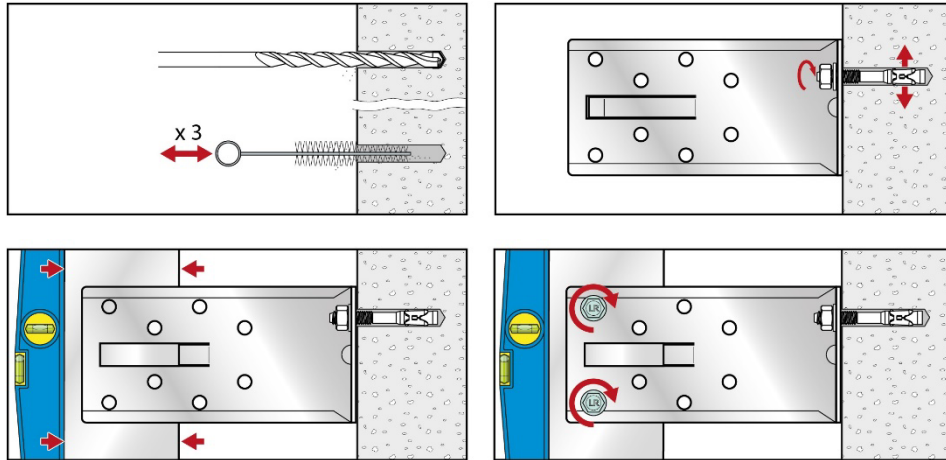
LR ETANCO is associate member of:



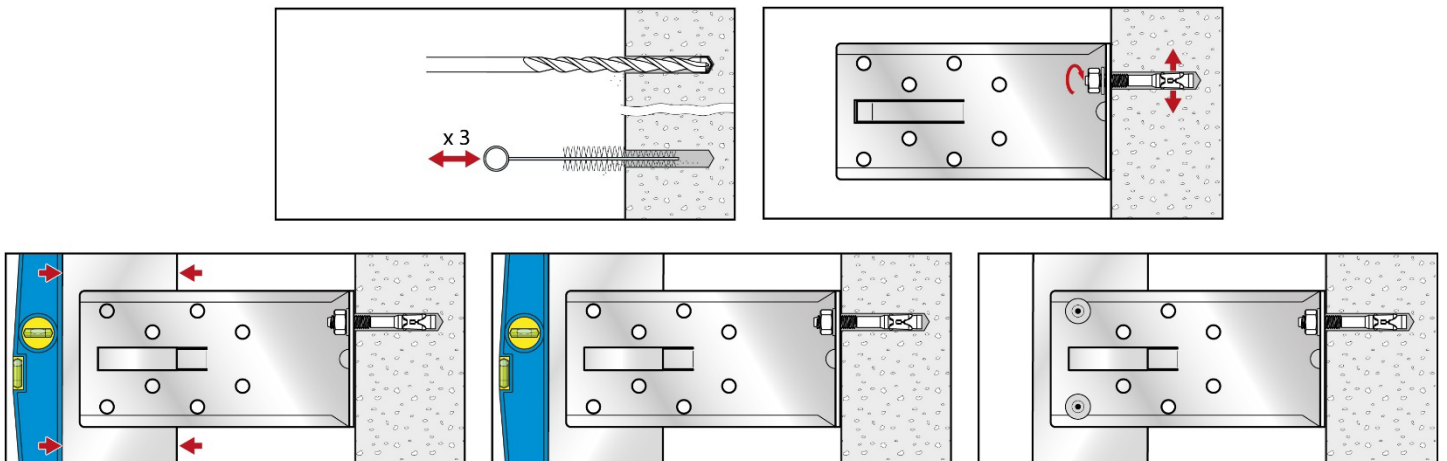
LR ETANCO - Parc les Érables - Bât. 1 - 66 Route de Sartrouville
78231 Le Pecq Cedex - France - www.etanco.eu

Tel: +33 (0)1 34 80 52 00 - commercial.france@etanco.fr

Installation with screw flanged frame



Installation with rivet flanged frame



Associated product for façade with insulation:

- Fastening brackets in the base material (Anchor to be determined according to the construction)
 - Wedge THERMOSTOP 60x49x3 for ISOLCO bracket (refer to TDS n° 3174)
- 1. Metallic anchors:
 - BARACO/M FM 753 M8 or M10 galvanized steel (refer to TDS n° 2079)
 - BARACO/M FM 753 M8 or M10 CRACK 3DG (refer to TDS n° 4524)
 - MP3-S M8 or M10 galvanized steel (refer to TDS n° 2105)
- 2. Chemical anchors:
 - CHIMFORT KEM H or VEA + threaded rod M8 or M10 galvanized steel (refer to TDS n° 5000 or 5002 or 5006)
- 3. Metal-plastic anchors:
 - MARCOVIS FM-X5 Ø10 TH galvanized steel (refer to TDS n° 2201)
 - MARCOVIS FM-X3 Ø10 TH galvanized steel (refer to TDS n° 4527)
- Fastening profiles:
 - L profile 50x50 mm Length 4ml (refer to TDS n° 4367)
 - C profile 30x30x30 mm (refer to TDS n° 3053)
 - GOLDOVIS 5 TH8 2C Ø5.5x25 mm (code: 331 152)
 - Open type rivet all stainless steel A2Ø4.8x18 mm (code: 273 600)

Associated product for façade without insulation:

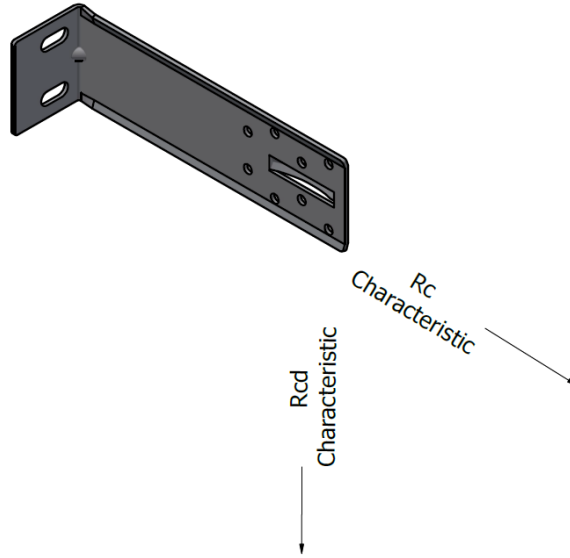
- Fastening brackets in the base material (Anchor to be determined according to the construction)
 - Wedge THERMOSTOP 60x49x3 for ISOLCO bracket (refer to TDS n° 3174)
- 4. Metallic anchors:
 - BARACO/M FM 753 M8 or M10 stainless steel A4 (refer to TDS n° 2079)
 - BARACO/M FM 753 M8 or M10 CRACK stainless steel A4 (refer to TDS n° 4525)
 - MP3-S M8 or M10 stainless steel A4 (refer to TDS n° 2105)
- 1. Chemical anchors:
 - CHIMFORT KEM H or VEA + threaded rod M8 or M10 stainless steel A4 (refer to TDS n° 5000 or 5002 or 5006)
- 5. Metal-plastic anchors:
 - MARCOVIS FM-X5 Ø10 TH stainless steel A4 (refer to TDS n° 2201)
 - MARCOVIS FM-X3 Ø10 TH stainless steel A4 (refer to TDS n° 4530)
- Fastening profiles:
 - L profile 50x50 mm Length 4ml (refer to TDS n° 4367)
 - C profile 30x30x30 mm (refer to TDS n° 3053)
 - GOLDOVIS 5 TH8 2C Ø5.5x25 mm (code: 331 152)
 - Open type Rivet all stainless steel A2Ø4.8x18 mm (code: 273 600)

Associated product for ventilated façade with vertical wood frame or metal frame:

- ISOLCO 3000 P2 bracket without clip in galvanized steel (refer to TDS n° 4340)
- ISOLCO 3000 P2 bracket without clip in stainless steel A2 (refer to TDS n° 4355)

PERFORMANCES

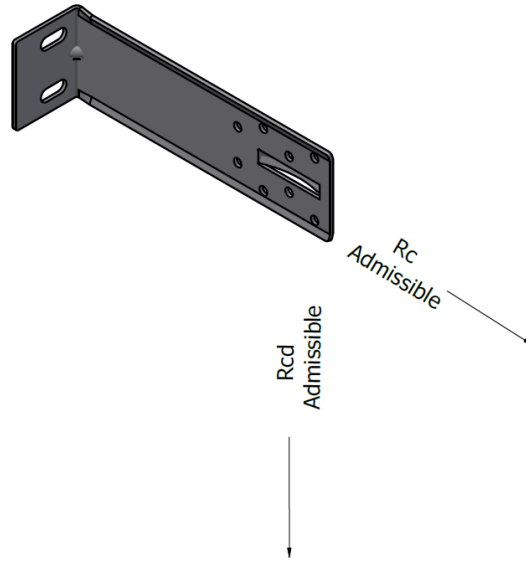
Characteristic resistances:



CHARACTERISTIC RESISTANCES DETERMINED FROM TESTS OF ANNEXE 1 OF THE CSTB 3194 SPECIFICATIONS

Length (mm)	Vertical load		Horizontal load
	R _{cd} 1 mm (daN)	R _{cd} 3 mm (daN)	R _c (daN)
80	87	87	225
90	81	81	
100	75,5	75,5	
110	65	72	
120	54	69	
130	47	67	
140	44,5	63	
150	38	58	
160	35	55	
170	29,8	51	
180	26,4	48	
190	24	46	
200	20	42,5	
210	19,6	41	
220	17,5	38	
230	15,7	36	
240	14	33	
250	13	31	
260	11,1	26,8	
270	10,2	26	
280	9	23	
290	8,5	21	
300	8	18	
320	7	15	

Admissible resistances:

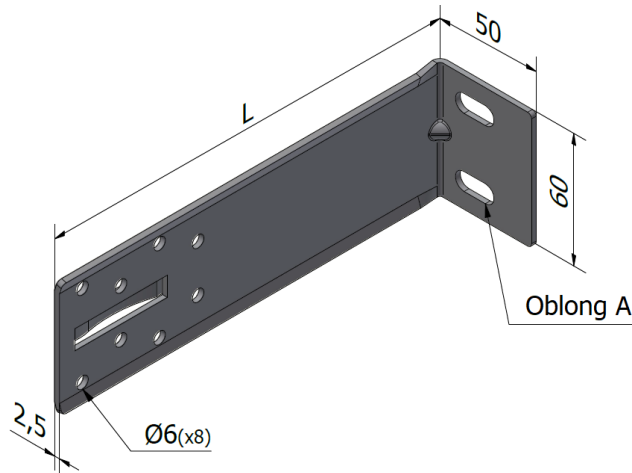


ADMISSIBLE RESISTANCES DETERMINED FROM TESTS OF ANNEXE 1 OF THE CSTB 3194 SPECIFICATIONS

Length (mm)	Vertical load (Coef. 2,25) ⁽¹⁾		Horizontal load (Coef. 1,67) ⁽¹⁾
	R _{cd} 1 mm (daN)	R _{cd} 3 mm (daN)	R _c (daN)
80	38,7	38,7	134,7
90	36	36	
100	33,6	33,6	
110	28,9	32	
120	24	30,7	
130	20,9	29,8	
140	19,8	28	
150	16,9	25,8	
160	15,6	24,4	
170	13,2	22,7	
180	11,7	21,3	
190	10,7	20,4	
200	8,9	18,9	
210	8,7	18,2	
220	7,8	16,9	
230	7	16	
240	6,2	14,7	
250	5,8	13,8	
260	4,9	11,9	
270	4,5	11,6	
280	4	10,2	
290	3,8	9,3	
300	3,6	8	
320	3,1	6,6	

(1): The values indicated in the table above are admissible values with a coefficient applied to the characteristic values of 2.25 for vertical loads and 1.67 for horizontal loads. Other coefficients may be applied depending on the configuration of the system (refer to the CSTB specifications).

DIMENSIONS & CODES



L (mm)	Code	
	Oblong A - 9x11 mm - M8	Oblong A - 11x11 mm - M10
80	367 400	367 430
90	367 401	367 431
100	367 402	367 432
110	367 403	367 433
120	367 404	367 434
130	367 405	367 435
140	367 406	367 436
150	367 407	367 437
160	367 408	367 438
170	367 409	367 439
180	367 410	367 440
190	367 411	367 441
200	367 412	367 442
210	367 413	367 443
220	367 414	367 444
230	367 415	367 445
240	367 416	367 446
250	367 417	367 447
260	367 418	367 448
270	367 419	367 449
280	367 420	367 450
290	367 421	367 451
300	367 422	367 452
320	367 423	367 453

CONFORMITY

- French specifications : CSTB 3194.
- French standard : DTU 45.4.
- Reaction to fire: A1 according to NF EN 13501-1 (bracket alone).
- The characteristic resistances come from tests carried out by the LR ETANCO laboratory.

MARKING & LABELLING

- On packaging: ISOLCO 3000 P2 CLIP BRACKET + M8 or M10 + LENGTH + CODE.

QUALITY CONTROL

- ISO 9001 certified quality management system according to the certificate in force.

NOTA

These products are intended for professional installers landlords whose the related service includes supply and installation. In accordance with rules and normative regulation, it's their responsibility to check that the use of these products is in conformity to themselves needs and their customers. They have to insure as well the adequacy of this material with their real operating conditions. The company excludes any guarantee for the use that does not respect these conditions. His responsibility is limited to the strict compliance with the specifications stipulated on the customer's purchase order. The guarantee is limited to the replacement of defective parts acknowledged by the Company's technical service, without workforce costs and travel expenses. It excludes material damage or physical injury and others direct or indirect damages, material or immaterial, which may result from defective parts including installation that not complying with the use for which they are designed and produced.

Registration date: 2024/04/02 – Revision B

LR ETANCO is associate member of:



LR ETANCO - Parc les Érables - Bât. 1 - 66 Route de Sartrouville
78231 Le Pecq Cedex - France - www.etanco.eu

Tel: +33 (0)1 34 80 52 00 - commercial.france@etanco.fr