

ALUMINIUM STANDARD CLIP C+



PRODUCT DEFINITION

- Aluminium standard clip C+.

APPLICATION

- To be combined with aluminium rail C+.
- Secondary framework for invisible fixing of flat facade cladding
- Cladding bracing function only.

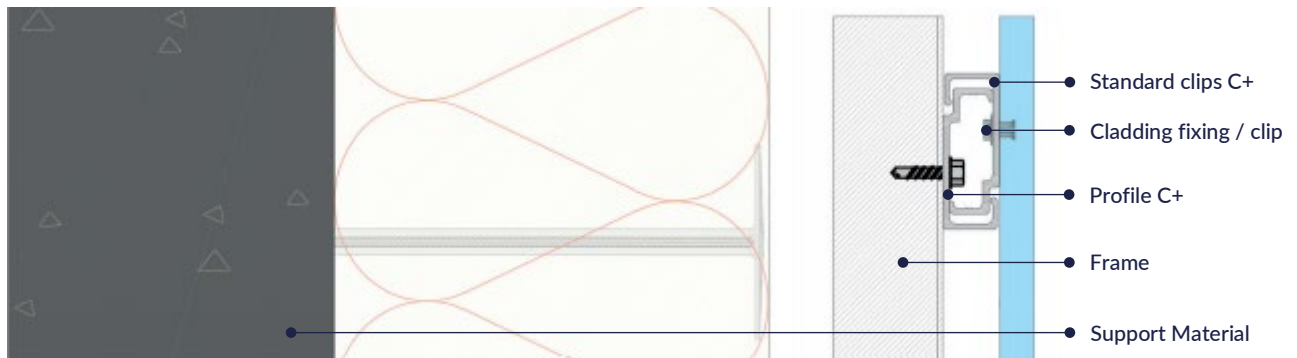
MATERIAL AND COATING

Material :

- Aluminium alloy EN-AW 6063 T66.
Minimal characteristics : Rm = 245 MPa - Rp0.2 = 200 MPa - HBS 80.

INSTALLATION

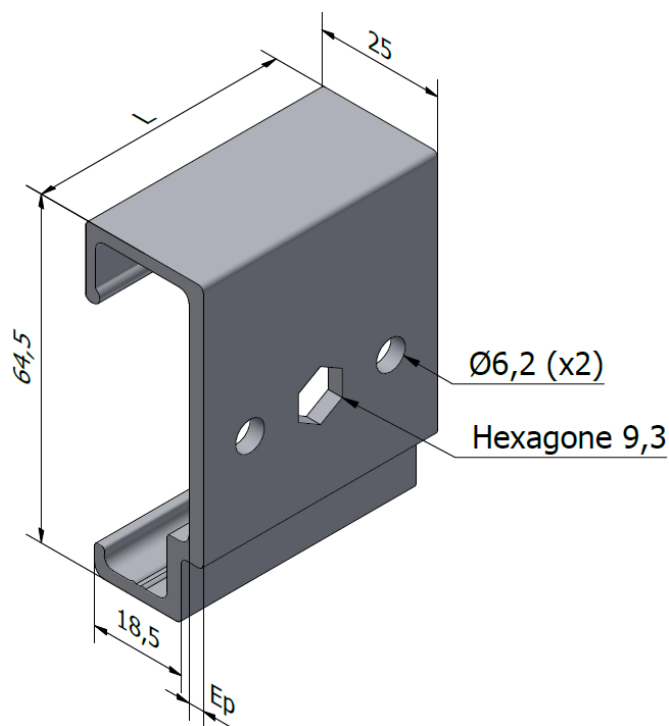
Double network aluminum framework system



Additional products :

- Blind bolts TB12 Tx30 - SS A2 Ø6xL mm (see TDS 2382)
- KEIL KHAA Insert - HH8 - SS A4 M6xL mm (see Facade booklet)
- Aluminium rail C+ (see TDS 4522)
- Aluminum adjustable clip C+ for PROFILE C+ (see TDS 3164)
- Metric thread screw - HH10 - SS A2 Ø6x10 mm (code : 69 288)
- PERFIX 3 - HH8 - SS A2 Ø5,5x25 mm (see TDS 4042)
- Aluminium Profile FAÇALU T (see TDS 4470)
- Aluminium Profile FAÇALU L (see TDS 4471)
- Aluminium Profile FAÇALU OMEGA (see TDS 4479)
- Aluminium Profile FAÇALU TUBE (see TDS 4491)

DIMENSIONS & CODES



L. (mm)	Thickness (mm)	Code
50	3	611 099

L. : Length

COMPLIANCE

- Fire reaction : A1 according to NF EN 13501-1.

MARKING AND LABELING

- On packaging : AGRAFE STANDARD PR PROFIL C+ + CODE.

QUALITY CONTROL

- Quality management system certified ISO 9001 according to the applicable certificate

NOTA

These products are intended for professional installers landlords whose the related service includes supply and installation. In accordance with rules and normative regulation, it's their responsibility to check that the use of these products is in conformity to themselves needs and their customers. They have to insure as well the adequacy of this material with their real operating conditions. The company excludes any guarantee for the use that does not respect these conditions. His responsibility is limited to the strict compliance with the specifications stipulated on the customer's purchase order. The guarantee is limited to the replacement of defective parts acknowledged by the Company's technical service, without workforce costs and travel expenses. It excludes material damage or physical injury and others direct or indirect damages, material or immaterial, which may result from defective parts including installation that not complying with the use for which they are designed and produced.

Registration date : 09/14/2022 - Indice C

LR ETANCO is associate member of :