

VULCO SADDLE WASHER FOR TRAPEZOIDAL CORRUGATION



PRODUCT DEFINITION

- One-piece saddle washer for trapezoidal profile in 10/10th thickness + vulcanized EPDM – cut – stamped – ribbed.
- Single saddle washer for all fasteners from Ø5.5 to Ø8.0 mm thanks to the reduced hole of the EPDM.
- Perfect waterproofing thanks to the geometry of the saddle washer and the EPDM arranged on its entire underside.
- Natural, pre-painted or post-painted.

APPLICATION

- For fixing trapezoidal roof profile at the top of the corrugation.
- Outside the mountain climate (> 900 m above sea level).

MATERIAL & COATING

Material:

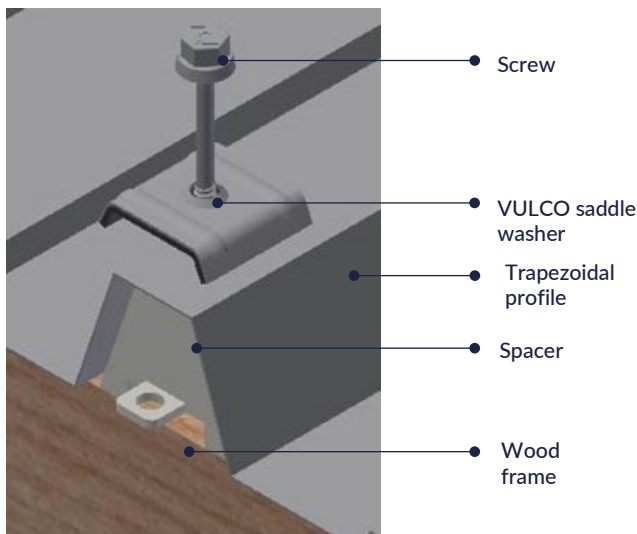
- 3003 H24 aluminium alloy.
- Vulcanized EPDM. Hardness 45 to 50 SHORE A according to NF P 85-301.

Painting:

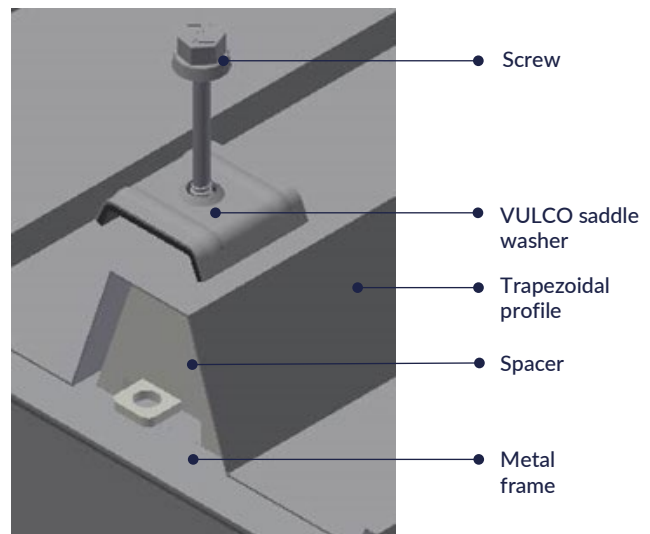
- Epoxy, polyester or polyurethane paint (Wide range of colours available)
 - Paint thickness according to TDS 4453.
 - The colour coating is only for an aesthetic purpose. It does not affect the nominal mechanical properties
- On case of deterioration, this product keeps its performance and does not derogate from the main function for which it is intended.

INSTALLATION

On a wooden frame



On metal frame



Associated Products:

- Single thread screws and hooks for roof profile in accordance with DTU 40.35 & DTU 40.36.
- Double-thread screws for sandwich panels in accordance with DTU 40.35 and DTU 40.36 and single-thread screws possible in some cases (refer to sandwich panel D.T.A.).
- HDPE plastic spacer for trapezoidal corrugation (see TDS 2144).

Roofing profile suitable for type AAV VULCO saddle washer: (Non-contractual list, may be subject to change)

Maker	Reference	Nb Corrugation	Step	Ht	Read	pb	GB
ARCELOR MITTAL	TRAPEZA 7.96.54T	7	96	54	672	17,5	66

Nb corrugation: Number of corrugations - Pitch: Distance between two verticals corrugations - Ht: corrugation height - Lu: Useful width - pb: Small base of a corrugation - GB: Large base of a corrugation.

Roofing profile suitable for type CV VULCO saddle washer: (Non-contractual list, may be subject to change)

Maker	Reference	Nb Corrugation	Step	Ht	Read	pb	GB
BACACIER	COVEO 4.37	4	250	37	1000	20	55
BACACIER	COVEO 4.40	4	250	40	1000	20	65
BACACIER	COVISO 4.40	4	250	40	1000	20	65
BACACIER	ISOLIGHT 1000 / Ep.100	4	250	37	1000	20	55
CISABAC	CISA 40 C	4	250	40	1000	20	66
EDILFIBRO	METAPLAK 40 Steel	4	250	40	1000	18	58
EDILFIBRO	METAPLAK 40 Aluminium	4	250	40	1000	18	58
JORIS IDE	PML 40.250.1000 CS > JI 40-250-1000 Roofing	4	250	40	1000	20	65
LATTONEDIL	EUROCOPE	3	333	37	1000	20	60,1
LATTONEDIL	EUROTRE	2	500	37	1000	20	60,1
LATTONEDIL	ISOCOPRE	5	200	37	1000	20	60,6
METECNO	METECNOROOF GLAMET G5	4	250	35	1000	20	55
METECNO	MONOROOF MONOPANEL G5 Alu Centésimal	4	250	35	1000	20	55
METECNO	MONOROOF MONOPANEL G5 Felt Board	4	250	35	1000	20	55
METECNO	TOPROOF G3	2	500	35	1000	20	55
MONOPANEL	COBACIER 1004	4	250	40	1000	20	65
MONOPANEL	GLAMET / GLAMET COMFORT	4	250	40	1000	20	65
MONOPANEL	GLAMET 4.40	4	250	45	1000	20	65
MONOPANEL	MONOLAINE T	4	250	40	1000	20	65
ONDULINE	ONDUCLAIR PC > STEEL STEEL 1004	4	250	39	1000	20	65
ONDULINE	ONDUCLAIR PC > PENTA ITP 1601	4	250	38,4	1000	20	54,86
ONDULINE	ONDUCLAIR PLR > COBACIER 1004	4	250	39	1000	20	65
RENOLIT ONDEX	4/250/40 - COB	4	250	40	1000	20	65
RIGISYSTEMS	38-152-914	6	152	38	914	19	70
RIGISYSTEMS	38-200-1000	5	200	38	1000	19	70

Nb corrugation: Number of corrugations - Pitch: Distance between two verticals corrugations - Ht: corrugation height - Lu: Useful width - pb: Small base of a corrugation - GB: Large base of a corrugation.

Roofing profile suitable for type EV VULCO saddle washer: (Non-contractual list, may be subject to change)

Registration date: 29/05/2024 – Revision B

LR ETANCO is a member of:



LR ETANCO - Parc les Érables - Bât. 1 - 66 Route de Sartrouville

78231 Le Pecq Cedex France - www.etanco.eu

Tel: 01 34 80 52 00 - commercial.france@etanco.fr

Maker	Reference	Nb Corrugation	Step	Ht	Read	pb	GB
GROSJEAN STEEL	Profile 33.250.1000	4	250	33	1000	22	63
ALUFORM	ALUFORM 45/150	6	150	45	900	25	70
ARCELOR MITTAL	TRAPEZA / GENUINE 4.250.35T	4	250	35	1000	22	63
BACACIER	COVEO 3.35	3	333	35	1000	24	69
BACACIER	COVEO 4.35	4	250	35	1000	22	63
JORIS IDE	JI ECO PANEL > JI Eco PIR	4	250	35	1000	22	63
JORIS IDE	PML 33.250.1000 CS > JI 33-250-1000 Roofing	4	250	33	1000	23	62
METECNO	METECNOROOF GLAMET G3	2	500	35	1000	20	60
METECNO	MONOROOF GLAMET G3 Alu Centésimal	2	500	35	1000	20	60
METECNO	MONOROOF MONOPANEL G3 Felt Board	2	500	35	1000	20	60

Nb corrugation: Number of corrugations - Pitch: Distance between two verticals corrugations - Ht: corrugation height - Lu: Useful width - pb: Small base of a corrugation - GB: Large base of a corrugation.

Roofing profile suitable for type HV VULCO saddle washer:
(Non-contractual list, may be subject to change)

Maker	Reference	Nb Corrugation	Step	Ht	Read	pb	GB
GROSJEAN STEEL	Profile 45.333.1000	3	333	45	1000	23	75
ARCELOR MITTAL	COUVRESKO 3.1000.39T > TRAPEZA 3.333.39T	3	333	39	1000	22	72
ARCELOR MITTAL	TRAPEZA 3.333.39T	3	333	39	1000	22	72
ARCELOR MITTAL	TRAPEZA 3.45.1000 TS > TRAPEZA 3.333.45T	3	333	45	1000	23	75
BACACIER	COVEO 3.39	3	333	39	1000	23	75
BACACIER	COVEO 3.45	3	333	45	1000	23	75
CISABAC	CISA 1000/45 C	3	333	45	1000	23	75
CISABAC	T5 PANEL	4	250	40	1000	25	60
ISOBAR	FEBOROOF - DPN - 02	3	333	45	1000	23	75
ISOPAN	ISOCOP FARM COAT	5	250	40	1000	23	56
ISOPAN	ISOCOP TOPCLASS	5	250	40	1000	23	56
ISOPAN	LG 40	5	250	40	1000	25	57
JORIS IDE	JI ECO+ PANEL / JI ROOF / JI ROOF+	3	333	45	1000	23	75
JORIS IDE	PML 45.333.1000 CS > JI 45-333-1000 Roofing	3	333	45	1000	23	75
MONOPANEL	COBACIER 1003	3	333	45	1000	23	75
MONOPANEL	GLAMET 3.45	3	333	45	1000	23	75
ONDULINE	ONDUCLAIR PC > H3.333.39	3	333	39	1000	23	75
ONDULINE	ONDUCLAIR PC > NERVESCO 1000	3	333	45	1000	24	76
ONDULINE	ONDUCLAIR PLR > H 1000 (4.250.40)	4	250	40	1000	25	60
ONDULINE	ONDUCLAIR PLR > H3.333.39T	3	333	39	1000	23	75
ONDULINE	ONDUCLAIR PLR > NERVESCO 1000 T	3	333	45	1000	24	76
RENOLIT ONDEX	3/333/39 - HAI	3	333	38	1000	22	72
RENOLIT ONDEX	3/333/45 - NVO	3	333	45	1000	23	75
RENOLIT ONDEX	3/333/45 Heather	3	333	45	1000	23	72
RENOLIT ONDEX	EURO 92	3	333	45	1000	25	75
RENOLIT ONDEX	GRECA 75/21	12	75	21	900	23	52
OPH - Arteface	NERTOIT 3.35.1000 T	3	333	35	1000	23	70
OPH - Arteface	NERTOIT 3.45.1000 T	3	333	45	1000	23	75
OPH - Arteface	NERTOIT 4.40.1000 T	4	250	40	1000	23	65
OPH - Arteface	SPO Roof	3	333	45	1000	23	75
TOLFER MAISIER	TC 40 / 250 / 4	4	250	40	1000	25	60

Nb corrugation: Number of corrugations - Pitch: Distance between two verticals corrugations - Ht: corrugation height - Lu: Useful width - pb: Small base of a corrugation - GB: Large base of a corrugation.

Roofing profile for type JV VULCO saddle washer:
(Non-contractual list, may be subject to change)

Maker	Reference	Nb Corrugation	Step	Ht	Read	pb	GB
GROSJEAN STEEL	Profile 30.200.1000	5	200	30	1000	25	60
ALUFORM	ALUFORM 30/153	7	153	30	1071	23	60
ARCELOR MITTAL	ONDASTYL T or ONDAROCK T	3	333	39	1000	23	72
ARCELOR MITTAL	ONDATHERM 1040 TS > ONDATHERM T&TH	3	333	39	1000	23	72
ARCELOR MITTAL	ONDATHERM L	3	333	39	1000	23	72
ARCELOR MITTAL	ONDATHERM T iQ+	3	333	39	1000	23	72
RENOLIT ONDEX	GRECA 70/18	16	70	18	980	25	45
RIGISYSTEMS	40-143-1000	7	143	40	1000	25	78
RIGISYSTEMS	50-167-1000	6	167	50	1000	25	92

Nb corrugation: Number of corrugations - Pitch: Distance between two verticals corrugations - Ht: corrugation height - Lu: Useful width - pb: Small base of a corrugation - GB: Large base of a corrugation.

Roofing profile suitable for type LV VULCO saddle washer:
(Non-contractual list, may be subject to change)

Maker	Reference	Nb Corrugation	Step	Ht	Read	pb	GB
GROSJEAN STEEL	Profile 35.250.1000	4	250	32	1000	23	75
BACACIER	COVISO LR / EP.50	4	250	37	1000	24	80
JORIS IDE	PML 37.250.1000 CS > JI 37-250-1000	4	250	37	1000	24	80
JORIS IDE	PML 37.500.1000 CS > JI 37-500-1000	2	500	37	1000	23	80
JORIS IDE	VULCASOLAR ROOF > JI Vulcasteel Roof 37-500	2	500	37	1000	24	80
JORIS IDE	VULCASTEEL ROOF / VULCASTEEL ALPHA	4	250	37	1000	24	80
ONDULINE	ONDUCLAIR PC > ISOMETAL 30 - 140	4	250	37	1000	23	80
ONDULINE	ONDUCLAIR PLR > 4 265 27 B	4	265	25	1060	25	65
RIGISYSTEMS	20-100-1000	10	100	19,1	1000	22	57
RIGISYSTEMS	45-152-914	6	152	45	914	21	111
OPH - Arteface	SPO Fire Roof	4	250	37	1000	24	80

Nb corrugation: Number of corrugations - Pitch: Distance between two verticals corrugations - Ht: corrugation height - Lu: Useful width - pb: Small base of a corrugation - GB: Large base of a corrugation.

Roofing profile suitable for type MV VULCO saddle washer:
(Non-contractual list, may be subject to change)

Maker	Reference	Nb Corrugation	Step	Ht	Read	pb	GB
BACACIER	COVEO 3.45 R	3	333	44	1000	30	65
KINGSPAN	KS 1000 RW / Ep.100	3	333	35	1000	30	63
LATTONEDIL	SOLARPAN PLUS / Ep.100	4	305	15	1000	26	40
MONOPANEL	STEEL COBSTEEL 1000.45	3	333	45	1000	30	65
ONDULINE	ONDUCLAIR PC > KINGSPAN	3	333	35	1000	30	60
ONDULINE	ONDUCLAIR PC > NERGA 1000 - 45	3	333	45	1000	30	65
ONDULINE	ONDUCLAIR PLR > NERGA 1000 45 T	3	333	45	1000	30	65
RENOLIT ONDEX	160/45 - ALFAL 45/160	6	160	45	960	30	70
RENOLIT ONDEX	3/333/45 - NRG	3	333	45	1000	30	65

Nb corrugation: Number of corrugations - Pitch: Distance between two verticals corrugations - Ht: corrugation height - Lu: Useful width - pb: Small base of a corrugation - GB: Large base of a corrugation.

Roofing profile suitable for type SV VULCO saddle washer:
(Non-contractual list, may be subject to change)

Maker	Reference	Nb Corrugation	Step	Ht	Read	pb	GB
EDILFIBRO	METAPLAK 28 Steel	9	112	28	896	36	76
EDILFIBRO	METAPLAK 28 Aluminium	11	112	28	1120	36	76
RENOLIT ONDEX	207/39 - SIEGMETAL	5	207	39	1035	33	101
RENOLIT ONDEX	210/35	5	210	35	1050	36	84
TOLFER MAISIER	TC 32 / 250 / 4	4	250	32	1000	36	80

Nb corrugation: Number of corrugations - Pitch: Distance between two verticals corrugations - Ht: corrugation height - Lu: Useful width - pb: Small base of a corrugation - GB: Large base of a corrugation.

Roofing profile suitable for type UV VULCO saddle washer:
(Non-contractual list, may be subject to change)

Maker	Reference	Nb Corrugation	Step	Ht	Read	pb	GB
ALUFORM	ALUFORM 45/200	5	200	45	1000	40	80
BACACIER	VENTILEO	8	112	27	988	36	76
ONDULINE	ONDUCLAIR PLR > C25 C	4	250	35	1000	40	69
RENOLIT ONDEX	207/35 (32) - HOESCH E35	5	207	32	1035	40	88
RENOLIT ONDEX	207/35 (36) - FISCHER 2007	5	207	36	1035	40	88
RENOLIT ONDEX	250/50 - FISCHER	4	250	50	1000	40	120

Nb corrugation: Number of corrugations - Pitch: Distance between two verticals corrugations - Ht: corrugation height - Lu: Useful width - pb: Small base of a corrugation - GB: Large base of a corrugation.

Roofing profile suitable for type YV VULCO saddle washer:
(Non-contractual list, may be subject to change)

Maker	Reference	Nb Corrugation	Step	Ht	Read	pb	GB
ARCELOR MITTAL	TRAPEZA 8.125.25T	8	125	25	1000	28	97
BACACIER	COVEO 1030	8	128,7	25	1030	29	99,7
JORIS IDE	PML 25.125.1000 CS > JI 25-125-1000 Roofing	8	125	25	1000	28	97
MONOPANEL	COBACIER 1008	8	125	27	1000	28	97
RENOLIT ONDEX	207/35 (31) - ARCELOR A35/207	5	207	31	1035	32,4	101

Nb corrugation: Number of corrugations - Pitch: Distance between two verticals corrugations - Ht: corrugation height - Lu: Useful width - pb: Small base of a corrugation - GB: Large base of a corrugation.

Roofing profile suitable for type ZV VULCO saddle washer:
(Non-contractual list, may be subject to change)

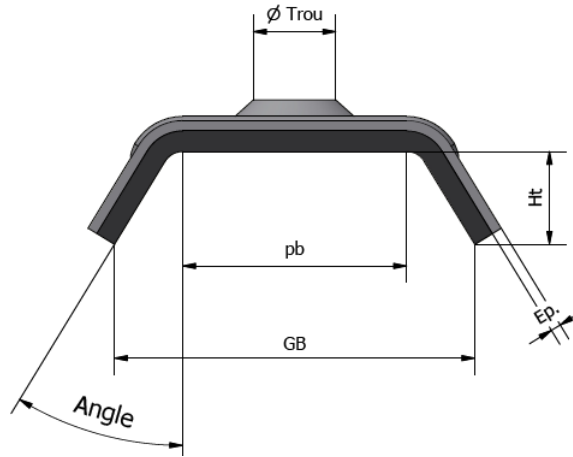
Maker	Reference	Nb Corrugation	Step	Ht	Read	pb	GB
ARCELOR MITTAL	AGRICONFORT 5.32.1035 F	5	207	32	1035	32	112
ARCELOR MITTAL	AGRISYSTEM 5.32.1010 E	5	182	32	1010	32	-
METECNO	RIBBED SHEET A40	4	250	40	1000	30	80
ONDULINE	ONDUCLAIR PLR > N 25 1070 C	4	267,5	25	1070	30	63
ONDULINE	ONDUCLAIR PLR > NERVESCO N25.1085.B	6	181	25	1085	35	100

Nb corrugation: Number of corrugations - Pitch: Distance between two verticals corrugations - Ht: corrugation height - Lu: Useful width - pb: Small base of a corrugation - GB: Large base of a corrugation.

PERFORMANCE

- Fixing and holding single-skin panels and sandwich panels at the top of corrugation.

DIMENSIONS & CODES



pb (mm)	GB (mm)	Ht (mm)	Angle (°)	Ep. (mm)	Hole Ø (mm)	Type	Code		
							Natural	Pre-painted	Post-Painted
16	28,5	11	25	1	8,3	AAV	111 182	111 186	111 184
20,5	31,5	10,5	54	1	8,3	CV	111 102	111 103	111 108
22	35	10	33	1	8	EV	111 104	111 105	111 107
24	35	9	31	1	8	HV	111 100	111 101	111 106
25	38,5	8	40	1	8,3	LV	111 130	111 131	111 132
26	36	8	31	1	8,3	JV	111 125	111 126	111 127
30	36,5	7	23	1	8,6	MV	111 115	111 116	111 117
33	44	5	54,5	1	8,3	YV	111 156	111 157	111 158
35,5	44,5	5	46	1	8,3	ZV	111 194	111 195	111 196
36	47,5	8	35	1	9	SV	111 190	111 191	111 192
40	49	6	38	1	8,3	UV	111 147	111 148	111 149

pb: Small base of a corrugation – GB: Large base of a corrugation – Ht: Corrugation height– Ep.: Thickness

CONFORMITY

- In accordance with French standard DTU 40.35 and DTU 40.36.
- According to RAGE professional recommendations: Steel sheets corrugation from coated steel sheets in humid tropical or equatorial climates and cyclonic conditions.
- Fire reaction: A1 according to NF EN 13501-1 for aluminium.

MARKING & LABELLING

- On packaging: CAV. VULCO ALU + PROFILE REFERENCE + CODE.
- On packaging: CAV. VULCO ALU + PROFILE REFERENCE + COLOUR + CODE.

QUALITY CONTROL

- ISO 9001 certified quality management system according to certificate in force.

NOTE

These products are intended for professional installers landlords whose the related service includes supply and installation. In accordance with rules and normative regulation, it's their responsibility to check that the use of these products is in conformity to themselves needs and their customers. They have to insure as well the adequacy of this material with their real operating conditions. The company excludes any guarantee for the use that does not respect these conditions. His responsibility is limited to the strict compliance with the specifications stipulated on the customer's purchase order. The guarantee is limited to the replacement of defective parts acknowledged by the Company's technical service, without workforce costs and travel expenses. It excludes material damage or physical injury and others direct or indirect damages, material or immaterial, which may result from defective parts including installation that not complying with the use for which they are designed and produced.

Registration date: 29/05/2024 – Revision B

LR ETANCO is a member of:

**LR ETANCO** - Parc les Érables - Bât. 1 - 66 Route de Sartrouville78231 Le Pecq Cedex France - www.etanco.euTel: 01 34 80 52 00 - commercial.france@etanco.fr