

## SADDLE WASHER FOR TRAPEZOIDAL CORRUGATION – GALVANIZED



### PRODUCT DEFINITION

- Saddle washer for trapezoidal profile in 8/10<sup>th</sup> thickness steel cut – stamped – ribbed.
- For all fasteners from Ø5.5 to Ø8.0 mm.
- Provide a sealing washer between the saddle washer and the trapezoidal profile.
- Natural or pre-painted.

### SCOPE OF APPLICATION

- For fixing trapezoidal roof profiles at the top of the corrugation.
- Off-seafront.

### MATERIAL & FINISH

#### Material:

- Steel.

#### Coating:

- Z350 galvanizing – Thickness ≥ 25 µm according to NF EN 10346.

#### Painting:

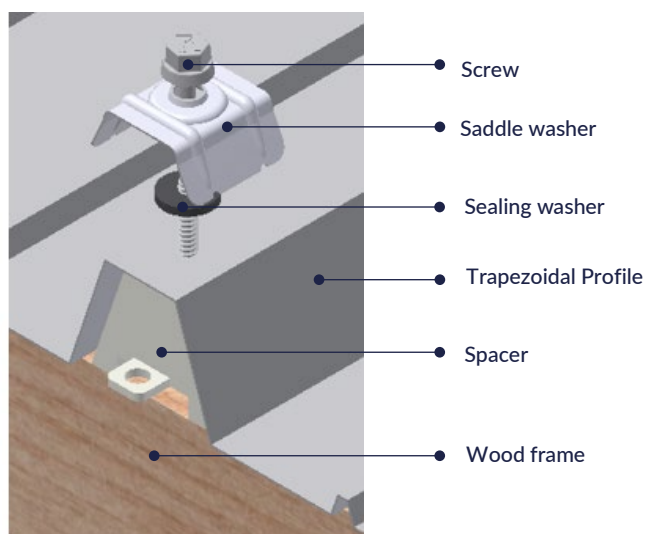
- Epoxy, polyester or polyurethane paint (Large range of colours available)
- Paint thickness according to FT 4453.

The colour coating is only for aesthetic purposes. It does not affect the nominal mechanical proprieties.

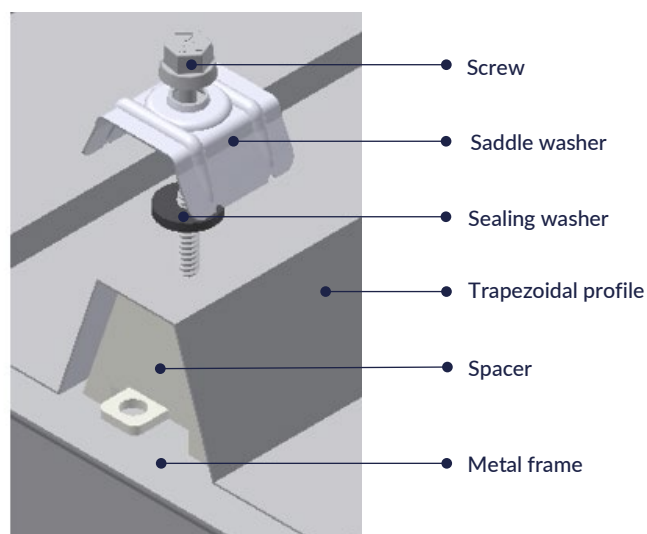
On case of a coating deterioration, this product keeps its performance and does not derogate from the main function for which is intended.

### INSTALLATION

#### On wood framework



#### On metal framework



## Associated products:

- Saddle washer for trapezoidal corrugation – stainless steel A2 (refer to TDS 2346)
- Saddle washer for trapezoidal corrugation – aluminium (refer to TDS 2345)
- PLASTIKA EPDM Ø22 washer mm (refer to TDS 0054)
- NEO-ELASTO EPDM Ø20 mm or Ø25 mm washer (refer to TDS 0002)
- REAC EPDM with chimney Ø6,5 mm or Ø8,5 mm washer (refer to TDS 2384)
- Single thread screws and hooks for profiles in accordance with DTU 40.35
- Double-thread screws for sandwich panels in accordance with DTU 40.35 and single-thread possible in certain cases (refer to D.T.A. of sandwich panel)
- HDPE plastic spacer for trapezoidal corrugation (refer to TDS 2144)

## Roofing profile suitable for Type B saddle washer:

(Non-contractual list, may be subject to change)

Manufacturer	Reference	Nb Corr.	Pitch	Ht	Lu	pb	GB
METECNO	HIPERTEC ROOF	3	333	38	1000	20	40

Nb Corr.: Number of Corrugations – Pitch: Distance between two corrugations – Ht: Corrugation height – Lu: Useful width – pb: Small base of a corrugation – GB: Large base of a corrugation

## Roofing profile suitable for Type C saddle washer:

(Non-contractual list, may be subject to change)

Manufacturer	Reference	Nb Corr.	Pitch	Ht	Lu	pb	GB
BACACIER	COVEO 4.37	4	250	37	1000	20	55
BACACIER	COVEO 4.40	4	250	40	1000	20	65
BACACIER	COVISO 4.40	4	250	40	1000	20	65
BACACIER	ISOLIGHT 1000	4	250	37	1000	20	55
CISABAC	CISA 40 C	4	250	40	1000	20	66
EDILFIBRO	METAPLAK 40 Steel	4	250	40	1000	18	58
EDILFIBRO	METAPLAK 40 Aluminium	4	250	40	1000	18	58
JORIS IDE	Jl 40-250-1000 Roof	4	250	40	1000	20	65
LATTONEDIL	EUROCOPE	3	333	37	1000	20	60,1
LATTONEDIL	EUROTRE	2	500	37	1000	20	60,1
LATTONEDIL	ISOCOPRE	5	200	37	1000	20	60,6
METECNO	METECNOROOF GLAMET G5	4	250	35	1000	20	55
METECNO	MONOROOF MONOPANEL G5 Alu Centésimal	4	250	35	1000	20	55
METECNO	MONOROOF MONOPANEL G5 Carton Felt	4	250	35	1000	20	55
MONOPANEL	COBACIER 1004	4	250	40	1000	20	65
MONOPANEL	GLAMET / GLAMET CONFORT / GLAMET 4.40	4	250	40	1000	20	65
MONOPANEL	MONOLAINE T	4	250	40	1000	20	65
ONDULINE	ONDUCLAIR PC > COBACIER 1004	4	250	39	1000	20	65
ONDULINE	ONDUCLAIR PC > PENTA ITP	4	250	38,4	1000	20	54,86
ONDULINE	ONDUCLAIR PLR > COBACIER 1004	4	250	39	1000	20	65
RENOLIT ONDEX	4/250/40 - COB	4	250	40	1000	20	65

Nb Corr.: Number of Corrugations – Pitch: Distance between two corrugations – Ht: Corrugation height – Lu: Useful width – pb: Small base of a corrugation – GB: Large base of a corrugation

**Roofing profile suitable for Type D saddle washer:**  
(Non-contractual list, may be subject to change)

Manufacturer	Reference	Nb Corr.	Pitch	Ht	Lu	pb	GB
ALUFORM	ALUFORM 29/124	8	124	29	992	20	61

Nb Corr.: Number of Corrugations - Pitch: Distance between two corrugations - Ht: Corrugation height - Lu: Useful width - pb: Small base of a corrugation - GB: Large base of a corrugation

**Roofing profile suitable for Type E saddle washer:**  
(Non-contractual list, may be subject to change)

Manufacturer	Reference	Nb Corr.	Pitch	Ht	Lu	pb	GB
ALUFORM	ALUFORM 45/150	6	150	45	900	25	70
ITALPANNELLI	PENTA - PENTA MONO AL	4	250	40	1000	20	54
ITALPANNELLI	PENTA 15	4	250	40	1000	20	54
ITALPANNELLI	TER - TER MONO AL	2	500	40	1000	20	54
RENOLIT ONDEX	150/45 - ALUFORM	6	150	45	900	25	70

Nb Corr.: Number of Corrugations - Pitch: Distance between two corrugations - Ht: Corrugation height - Lu: Useful width - pb: Small base of a corrugation - GB: Large base of a corrugation

**Roofing profile suitable for Type F saddle washer:**  
(Non-contractual list, may be subject to change)

Manufacturer	Reference	Nb Corr.	Pitch	Ht	Lu	pb	GB
LATTONEDIL	EUROCINQUE	4	250	37	1000	20	51

Nb Corr.: Number of Corrugations - Pitch: Distance between two corrugations - Ht: Corrugation height - Lu: Useful width - pb: Small base of a corrugation - GB: Large base of a corrugation

**Roofing profile suitable for Type G saddle washer:**  
(Non-contractual list, may be subject to change)

Manufacturer	Reference	Nb Corr.	Pitch	Ht	Lu	pb	GB
ACIER GROSJEAN	Profile 35.250.1000	4	250	32	1000	23	75
BACACIER	COVISO LR	4	250	37	1000	24	80
EDILFIBRO	METAPLAK 20 Steel	16	75	21	1125	23	54
EDILFIBRO	METAPLAK 20 Steel	13	75	21	900	23	54
EDILFIBRO	METAPLAK 20 Aluminium	16	75	21	1125	23	54
EDILFIBRO	METAPLAK 20 Aluminium	13	75	21	900	23	54
JORIS IDE	JI 37-250-1000	4	250	37	1000	24	80
JORIS IDE	JI 37-500-1000	2	500	37	1000	23	80
JORIS IDE	JI Vulcasteel Roof 37-500 & 37-500 Alpha	2	500	37	1000	24	80
JORIS IDE	JI Vulcasteel Roof & JI Vulcasteel Roof Alpha	4	250	37	1000	24	80
ONDULINE	ONDCLAIR PC > ISOMETAL 30 - 140	4	250	37	1000	23	80
ONDULINE	ONDCLAIR PLR > 4 265 27 B	4	265	25	1060	25	65
SPO - Artéface	SPO Fire Roof	4	250	37	1000	24	80

Nb Corr.: Number of Corrugations - Pitch: Distance between two corrugations - Ht: Corrugation height - Lu: Useful width - pb: Small base of a corrugation - GB: Large base of a corrugation

Roofing profile suitable for Type H saddle washer:  
(Non-contractual list, may be subject to change)

Manufacturer	Reference	Nb Corr.	Pitch	Ht	Lu	pb	GB
ACIER GROSJEAN	Profile 45.333.1000	3	333	45	1000	23	75
ARCELOR MITTAL	TRAPEZA 3.333.39T	3	333	39	1000	22	72
ARCELOR MITTAL	TRAPEZA 3.333.45T	3	333	45	1000	23	75
BACACIER	COVEO 3.39	3	333	39	1000	23	75
BACACIER	COVEO 3.45	3	333	45	1000	23	75
CISABAC	CISA 1000/45 C	3	333	45	1000	23	75
CISABAC	PANEL T5	4	250	40	1000	25	60
ISOBAR	FEBOROOF - DPN - 0	3	333	45	1000	23	75
ISOPAN	ISOCOP FARM COAT	5	250	40	1000	23	56
ISOPAN	ISOCOP TOPCLASS	5	250	40	1000	23	56
ISOPAN	ISOFIRE ROOF FONO	5	250	39,5	1000	23	59
ISOPAN	LG 40	5	250	40	1000	25	57
JORIS IDE	JI PANEL ECO+ / JI ROOF / JI ROOF+	3	333	45	1000	23	75
JORIS IDE	JI 45-333-1000 Roof	3	333	45	1000	23	75
MONOPANEL	COBACIER 1003	3	333	45	1000	23	75
MONOPANEL	GLAMET 3.45	3	333	45	1000	23	75
ONDULINE	ONDUCLAIR PC > H3.333.39	3	333	39	1000	23	75
ONDULINE	ONDUCLAIR PC > NERVESCO 1000	3	333	45	1000	24	76
ONDULINE	ONDUCLAIR PLR > H 1000 (4.250.40)	4	250	40	1000	25	60
RENOLIT ONDEX	3/333/39 - HAI	3	333	38	1000	22	72
RENOLIT ONDEX	3/333/45 - NVO	3	333	45	1000	23	75
RENOLIT ONDEX	3/333/45 LAUKIEN	3	333	45	1000	23	72
SPO - Artéface	NERTOIT 3.35.1000 T	3	333	35	1000	23	70
SPO - Artéface	NERTOIT 3.45.1000 T	3	333	45	1000	23	75
SPO - Artéface	NERTOIT 4.40.1000 T	4	250	40	1000	23	65
SPO - Artéface	SPO Roof	3	333	45	1000	23	75
TOLFER MAISIER	TC 40 / 250 / 4	4	250	40	1000	25	60

Nb Corr.: Number of Corrugations - Pitch: Distance between two corrugations - Ht: Corrugation height - Lu: Useful width - pb: Small base of a corrugation - GB: Large base of a corrugation

Roofing profile suitable for Type I saddle washer:  
(Non-contractual list, may be subject to change)

Manufacturer	Reference	Nb Corr.	Pitch	Ht	Lu	pb	GB
ACIER GROSJEAN	Profile 33.250.1000	4	250	33	1000	22	63
ARCELOR MITTAL	TRAPEZA / AUTHENTIQUE 4.250.35T	4	250	35	1000	22	63
BACACIER	COVEO 3.35	3	333	35	1000	24	69
BACACIER	COVEO 4.35	4	250	35	1000	22	63
JORIS IDE	JI Eco PIR	4	250	35	1000	22	63
JORIS IDE	JI 33-250-1000 Roof	4	250	33	1000	23	62
ONDULINE	ONDUCLAIR PC > H4 250 35	4	250	34,5	1000	22	63

Nb Corr.: Number of Corrugations - Pitch: Distance between two corrugations - Ht: Corrugation height - Lu: Useful width - pb: Small base of a corrugation - GB: Large base of a corrugation

Roofing profile suitable for Type J saddle washer:  
(Non-contractual list, may be subject to change)

Manufacturer	Reference	Nb Corr.	Pitch	Ht	Lu	pb	GB
ACIER GROSJEAN	Profile 30.200.1000	5	200	30	1000	25	60
ALUFORM	ALUFORM 30/153	7	153	30	1071	23	60
ARCELOR MITTAL	ONDASTYL T or ONDAROCK T	3	333	39	1000	23	72
ARCELOR MITTAL	ONDATHERM T & TH	3	333	39	1000	23	72
ARCELOR MITTAL	ONDATHERM L	3	333	39	1000	23	72
ARCELOR MITTAL	ONDATHERM T iQ+	3	333	39	1000	23	72
METECNO	METECNOROOF GLAMET G3	2	500	35	1000	20	60
METECNO	MONOROOF GLAMET G3 Alu Centésimal	2	500	35	1000	20	60
METECNO	MONOROOF MONOPANEL G3 Carton Felt	2	500	35	1000	20	60
RENOLIT ONDEX	GRECA 70/18	16	70	18	980	25	45

Nb Corr.: Number of Corrugations – Pitch: Distance between two corrugations – Ht: Corrugation height – Lu: Useful width – pb: Small base of a corrugation – GB: Large base of a corrugation

Roofing profile suitable for Type K saddle washer:  
(Non-contractual list, may be subject to change)

Manufacturer	Reference	Nb Corr.	Pitch	Ht	Lu	pb	GB
KALZIP	KALZIP TR 24/100	10	100	24	1000	29	74
MONOPANEL	COBACIER 1105	5	220	25	1100	24	70
ONDULINE	ONDUCLAIR PLR > COBACIER 1105	5	220	25	1100	24	70

Nb Corr.: Number of Corrugations – Pitch: Distance between two corrugations – Ht: Corrugation height – Lu: Useful width – pb: Small base of a corrugation – GB: Large base of a corrugation

Roofing profile suitable for Type L saddle washer:  
(Non-contractual list, may be subject to change)

Manufacturer	Reference	Nb Corr.	Pitch	Ht	Lu	pb	GB
RENOLIT ONDEX	144/63,5 - KR18	6	144,3	24,5	1010	20	70
RENOLIT ONDEX	GRECA 75/21	12	75	21	900	23	52

Nb Corr.: Number of Corrugations – Pitch: Distance between two corrugations – Ht: Corrugation height – Lu: Useful width – pb: Small base of a corrugation – GB: Large base of a corrugation

Roofing profile suitable for Type M saddle washer:  
(Non-contractual list, may be subject to change)

Manufacturer	Reference	Nb Corr.	Pitch	Ht	Lu	pb	GB
BACACIER	COVEO 3.45 R	3	333	44	1000	30	65
KINGSPAN	KS 1000 RW	3	333	35	1000	30	63
MONOPANEL	COBACIER 1000.45	3	333	45	1000	30	65
ONDULINE	ONDUCLAIR PC > KINGSPAN	3	333	35	1000	30	60
ONDULINE	ONDUCLAIR PC > NERGAL 1000 - 45	3	333	45	1000	30	65
RENOLIT ONDEX	3/333/45 - NRG	3	333	45	1000	30	65

Nb Corr.: Number of Corrugations – Pitch: Distance between two corrugations – Ht: Corrugation height – Lu: Useful width – pb: Small base of a corrugation – GB: Large base of a corrugation

Registration date: 2023/07/12 – Revision D

LR ETANCO is associate member of:



LR ETANCO - Parc les Érables - Bât. 1 - 66 Route de Sartrouville  
78231 Le Pecq Cedex France - [www.etanco.eu](http://www.etanco.eu)

Tel: +33 (0)1 34 80 52 00 - [commercial.france@etanco.fr](mailto:commercial.france@etanco.fr)

**Roofing profile suitable for Type O saddle washer:**  
(Non-contractual list, may be subject to change)

Manufacturer	Reference	Nb Corr.	Pitch	Ht	Lu	pb	GB
RENOLIT ONDEX	160/45 - ALFAL 45/160	6	160	45	960	30	70

Nb Corr.: Number of Corrugations - Pitch: Distance between two corrugations - Ht: Corrugation height - Lu: Useful width - pb: Small base of a corrugation - GB: Large base of a corrugation

**Roofing profile suitable for Type P saddle washer:**  
(Non-contractual list, may be subject to change)

Manufacturer	Reference	Nb Corr.	Pitch	Ht	Lu	pb	GB
ARCELOR MITTAL	TRAPEZA 8.125.25T	8	125	25	1000	28	97
JORIS IDE	Jl 25-125-1000 Roof	8	125	25	1000	28	97

Nb Corr.: Number of Corrugations - Pitch: Distance between two corrugations - Ht: Corrugation height - Lu: Useful width - pb: Small base of a corrugation - GB: Large base of a corrugation

**Roofing profile suitable for Type R saddle washer:**  
(Non-contractual list, may be subject to change)

Manufacturer	Reference	Nb Corr.	Pitch	Ht	Lu	pb	GB
ALUFORM	ALUFORM 42/250	4	250	42	1000	30	80
ALUFORM	ALUTHERM 42	4	250	42	1000	30	80

Nb Corr.: Number of Corrugations - Pitch: Distance between two corrugations - Ht: Corrugation height - Lu: Useful width - pb: Small base of a corrugation - GB: Large base of a corrugation

**Roofing profile suitable for Type S saddle washer:**  
(Non-contractual list, may be subject to change)

Manufacturer	Reference	Nb Corr.	Pitch	Ht	Lu	pb	GB
METECNO	A32	5	200	32	1000	30	80
RENOLIT ONDEX	207/39 - SIEGMETAL	5	207	39	1035	33	101
TOLFER MAISIER	TC 32 / 250 / 4	4	250	32	1000	36	80

Nb Corr.: Number of Corrugations - Pitch: Distance between two corrugations - Ht: Corrugation height - Lu: Useful width - pb: Small base of a corrugation - GB: Large base of a corrugation

**Roofing profile suitable for Type U saddle washer:**  
(Non-contractual list, may be subject to change)

Manufacturer	Reference	Nb Corr.	Pitch	Ht	Lu	pb	GB
ONDULINE	ONDCLAIR C25 C	4	250	35	1000	40	69

Nb Corr.: Number of Corrugations - Pitch: Distance between two corrugations - Ht: Corrugation height - Lu: Useful width - pb: Small base of a corrugation - GB: Large base of a corrugation

Roofing profile suitable for Type V saddle washer:  
(Non-contractual list, may be subject to change)

Manufacturer	Reference	Nb Corr.	Pitch	Ht	Lu	pb	GB
ARCELOR MITTAL	TRAPEZA 3.333.79T	3	333	78	1000	34	146
BACACIER	840.3.25 N	3	280	25	840	40	60
ISOCAB	ISOCAB C3 1040 / Ep.60	2	520	39	1040	39	73
JORIS IDE	JI 40-183-915 Roof	5	183	40	915	40	64
NLMK PROFIL	COVERBAC 3.25.840	3	280	25	840	40	60
ONDULINE	ONDUCLAIR PLR > NERGAL 840	3	280	25	840	40	60
RENOLIT ONDEX	183/40 - FISCHER 2007	5	183	42,5	915	40	64
RENOLIT ONDEX	183/40 - HOESCH E40	5	183	40	915	40	64
SPO - Artéface	NERTOIT 5.40.915 T	5	183	40	915	40	64

Nb Corr.: Number of Corrugations - Pitch: Distance between two corrugations - Ht: Corrugation height - Lu: Useful width - pb: Small base of a corrugation - GB: Large base of a corrugation

Roofing profile suitable for Type W saddle washer:  
(Non-contractual list, may be subject to change)

Manufacturer	Reference	Nb Corr.	Pitch	Ht	Lu	pb	GB
ALUFORM	ALUFORM 40/167	6	167	40	1002	34	68

Nb Corr.: Number of Corrugations - Pitch: Distance between two corrugations - Ht: Corrugation height - Lu: Useful width - pb: Small base of a corrugation - GB: Large base of a corrugation

Roofing profile suitable for Type X saddle washer:  
(Non-contractual list, may be subject to change)

Manufacturer	Reference	Nb Corr.	Pitch	Ht	Lu	pb	GB
BACACIER	COVEO 1030	8	128,7	25	1030	29	99,7

Nb Corr.: Number of Corrugations - Pitch: Distance between two corrugations - Ht: Corrugation height - Lu: Useful width - pb: Small base of a corrugation - GB: Large base of a corrugation

Roofing profile suitable for Type Z saddle washer:  
(Non-contractual list, may be subject to change)

Manufacturer	Reference	Nb Corr.	Pitch	Ht	Lu	pb	GB
ARCELOR MITTAL	CHANTILLY / TRAPEZA 5.180.40T	5	180	40	900	49	105
JORIS IDE	JI 40-190-950 Roof	5	190	40	950	50	105
RENOLIT ONDEX	250/50 - HOESCH E50	4	250	49	1000	53	115

Nb Corr.: Number of Corrugations - Pitch: Distance between two corrugations - Ht: Corrugation height - Lu: Useful width - pb: Small base of a corrugation - GB: Large base of a corrugation

## PERFORMANCES

- Fixing and holding single-skin panels and sandwich panels at the top of the corrugation.

Registration date: 2023/07/12 - Revision D

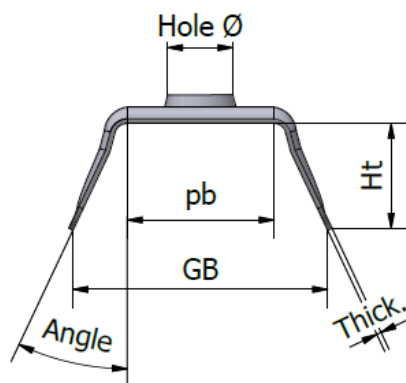
LR ETANCO is associate member of:



LR ETANCO - Parc les Érables - Bât. 1 - 66 Route de Sartrouville  
78231 Le Pecq Cedex France - [www.etanco.eu](http://www.etanco.eu)

Tel: +33 (0)1 34 80 52 00 - [commercial.france@etanco.fr](mailto:commercial.france@etanco.fr)

## DIMENSIONS & CODES



pb (mm)	GB (mm)	Ht (mm)	Angle (°)	Ep. (mm)	Hole Ø (mm)	R.É.A.C. Hole Ø (mm)	Type	Code		
								Natural saddle washer	Pre-painted saddle washer	Pre-painted saddle washer + R.É.A.C.
18	25	10	10	0,8	8,5	-	B	-	110 393	-
18	25	10	10	0,8	-	6,5	B	-	-	110 394
20	39	20	23	0,8	8,5	-	C	110 920	110 930	-
20	39	20	23	0,8	-	6,5	C	-	-	110 767
20	43	19	31	0,8	8,5	-	D	113 080	113 018	-
21	40	19	20	0,8	8,5	-	F	110 500	110 510	-
21	40	19	20	0,8	-	6,5	F	-	-	110 515
23	50	15	42	0,8	8,5	-	G	112 870	112 872	-
23	50	15	42	0,8	-	6,5	G	-	-	110 764
24	43	18	30	0,8	8,5	-	H	111 300	111 310	-
24	43	18	30	0,8	-	6,5	H	-	-	110 765
24	45	18	28	0,8	8,5	-	I	110 750	110 760	-
24	45	18	28	0,8	-	6,5	I	-	-	110 761
25	45	16	28	0,8	8,5	-	J	110 200	110 190	-
25	45	16	28	0,8	-	6,5	J	-	-	110 194
27	42	16	20	0,8	8,5	-	M	111 600	111 610	-
27	42	16	20	0,8	-	6,5	M	-	-	111 612
28	55	17	34	0,8	8,5	-	L	112 800	112 810	-
28	55	17	34	0,8	-	6,5	L	-	-	112 811
28	57	17	37	0,8	8,5	-	N	110 450	110 452	-
28	57	17	37	0,8	-	6,5	N	-	-	110 453
29	59	15	44	0,8	8,5	-	K	111 380	111 382	-
29	59	15	44	0,8	-	6,5	K	-	-	111 383
29	47	5,7	55	0,8	9	-	X	110 201	110 203	-
30	49	18	25	0,8	8,5	-	O	112 100	112 110	-
30	49	18	25	0,8	-	6,5	O	-	-	112 111
34	60	14	43	0,8	8,5	-	P	112 150	112 160	-
34	60	14	43	0,8	-	6,5	P	-	-	112 159
34	47	14	22	0,8	8,5	-	R	-	112 129	-
34	58	15	34	0,8	8,5	-	S	-	112 125	-
34	58	15	34	0,8	-	6,5	S	-	-	112 128
38	53	11	43	0,8	8,5	-	U	112 900	112 910	-
38	53	11	43	0,8	-	6,5	U	-	-	112 911
40	53	15	14	0,8	8,5	-	V	110 300	110 310	-
40	53	15	14	0,8	-	6,5	V	-	-	110 315
50	64	9	37	0,8	8,5	-	Z	111 365	111 366	-
50	64	9	37	0,8	-	6,5	Z	-	-	111 367

pb: Small base of a corrugation – GB: Large base of a corrugation – Ht: Corrugation height – Ep.: Thickness  
R.É.A.C. Ø: Ø6.5 mm hole for Ø6.0 to Ø6.5 mm screws only

Registration date: 2023/07/12 – Revision D

LR ETANCO is associate member of:



LR ETANCO - Parc les Érables - Bât. 1 - 66 Route de Sartrouville

78231 Le Pecq Cedex France - [www.etanco.eu](http://www.etanco.eu)

Tel: +33 (0)1 34 80 52 00 - [commercial.france@etanco.fr](mailto:commercial.france@etanco.fr)

**CONFORMITY**

- In accordance with French standard: DTU 40.35 (only when the saddle washer is assembled with a NEO-ELASTO EPDM or PLASTIKA EPDM sealing washer)
- In accordance with French standard: RAGE professional recommendations: Sandwich panel roofs with double steel facings and polyurethane core.
- Fire reaction: A1 according to NF EN 13501-1.

**MARKING & LABELLING**

1. On packaging: CAV GALVA + PROFILE REFERENCE + CODE.
2. On packaging: CAV Ga/PrL + PROFILE REFERENCE + COLOUR + CODE.
3. On packaging: CAV Ga/PrL + REAC + PROFILE REFERENCE + COLOUR + CODE.

**QUALITY CONTROL**

- ISO 9001 certified quality management system according to the certificate in force.

**NOTA**

These products are intended for professional installers landlords whose the related service includes supply and installation. In accordance with rules and normative regulation, it's their responsibility to check that the use of these products is in conformity to themselves needs and their customers. They have to insure as well the adequacy of this material with their real operating conditions. The company excludes any guarantee for the use that does not respect these conditions. His responsibility is limited to the strict compliance with the specifications stipulated on the customer's purchase order. The guarantee is limited to the replacement of defective parts acknowledged by the Company's technical service, without workforce costs and travel expenses. It excludes material damage or physical injury and others direct or indirect damages, material or immaterial, which may result from defective parts including installation that not complying with the use for which they are designed and produced.

**Registration date: 2023/07/12 – Revision D**

LR ETANCO is associate member of:

**LR ETANCO** - Parc les Érables - Bât. 1 - 66 Route de Sartrouville  
78231 Le Pecq Cedex France - [www.etanco.eu](http://www.etanco.eu)Tel: +33 (0)1 34 80 52 00 – [commercial.france@etanco.fr](mailto:commercial.france@etanco.fr)