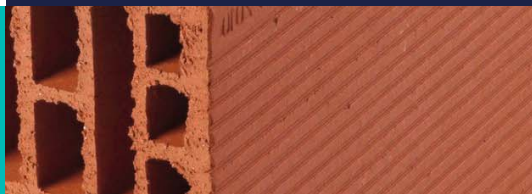


Hollow
material

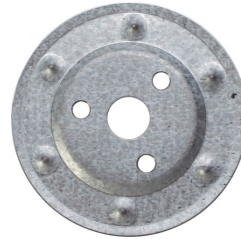
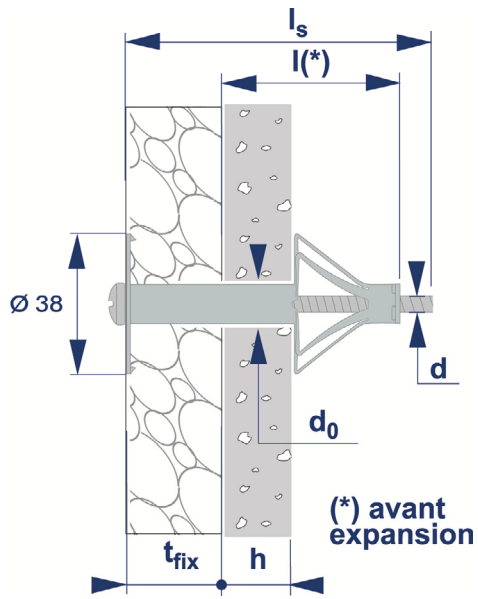


METAL-ISO PIEUVRE CC

Impact anchor for flexible & rigid insulation on hollow material

TDS n° 5008 - 24/09/2019

Metal insulation anchors, to attach insulation under slabs.



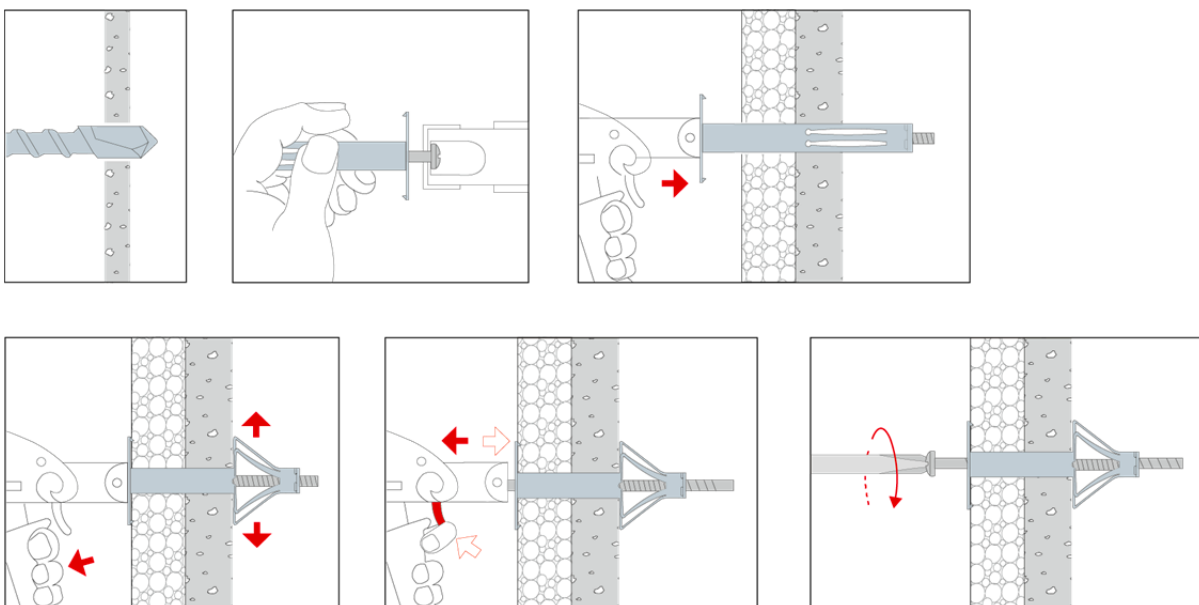
Additional washer
Ø 80 mm – Alu/Zinc
Code: 343 569

(*) before expansion

	Hollow materials	Materials	Fire resistance
METAL-ISO CC	Yes	Zn	M0



Implementation





METAL-ISO PIEUVRE CC

Anchor for flexible* and rigid insulation for hollow materials

Material: Galvanized steel

ISO-METAL HC		d ₀	T _{fix}	l	h ₁	h _{nom}	Pack	Zn Code
12	60 x 105	12	40/60	105	55	45	100	218,430
12	80 x 125	12	60/80	125	55	45	100	218 432
12	100 x 145	12	80/100	145	55	45	100	218 434
12	125 x 170	12	100/125	170	55	45	100	218 436
12	150 x 195	12	125/150	195	55	45	100	218 438

d₀: drilling diameter - t_{fix}: max. thickness of the element to be fixed - l: length of the anchor - h₁: min. drilling depth
h_{nom}: min. depth of installation - h_{min}: min. substrate thickness

- Produced in galvanized steel with a **NON-COMBUSTIBLE** reaction to fire testing
- Insulating thickness up to 150 mm
- 3 anti-rotation anchor grips
- Fast and easy assembly with Bolid expansion tool (Code: 218 425) or expansion by screwing (*: With additional washer Ø 80 mm / Alu/Zinc Code: 343 569)
- Coating available on request

Service load (daN)
Traction (daN)

Service load (daN)	Hollow concrete beams	Hollow concrete blocks	Hollow terracotta bricks
METAL-ISO CC	15	30	20
*approximate value			

Fire behaviour

The product is classed as compliant with the Euroclass EN 13501-1 **A1** standard and is therefore **non-combustible**.



Parc les Érables - Bât. 1 - BP 49
66 Route de Sartrouville 78231 LE PECQ Cedex France
T : 01 34 80 52 00 - F : 01 30 71 01 89
www.etanco.eu