

STOPECO SLATE Thickness 1.5mm



PRODUCT DEFINITION

- Steel hook thickness. 15/10th mm cuted – stamped – ribbed
- Painted on request.

SCOPE OF APPLICATION

- Snow stop for slate roofing.

MATERIAL & FINISH

Material:

- Galvanized steel.

Finish:

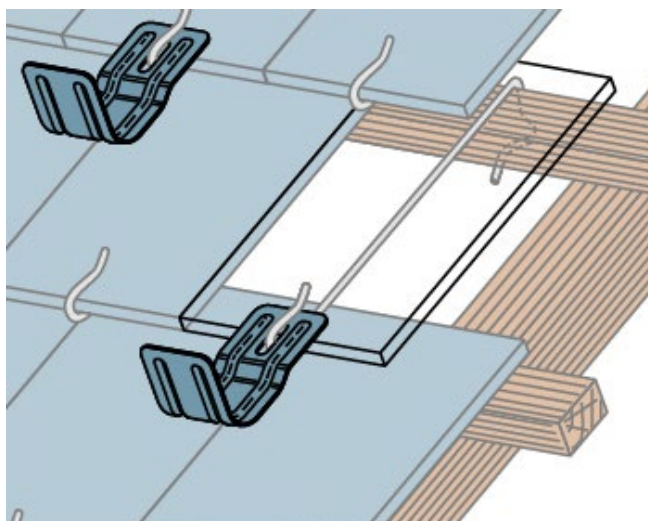
- Galvanization Z275 – Thickness $\geq 20 \mu\text{m}$ according to NF EN 10346.

Painting:

- Epoxy, polyester or polyurethane paint (Large range of colours available).
- Painting thickness according to TDS 4453.
- The colour coating is only for aesthetic purposes. It does not affect the nominal mechanical proprieties.
In case of a coating deterioration, this product keeps its performance and does not derogate from the main function for which it is intended.

INSTALLATION

- The STOPECO slide itself in the slate fastening hook.



PERFORMANCES

Characteristic strength:

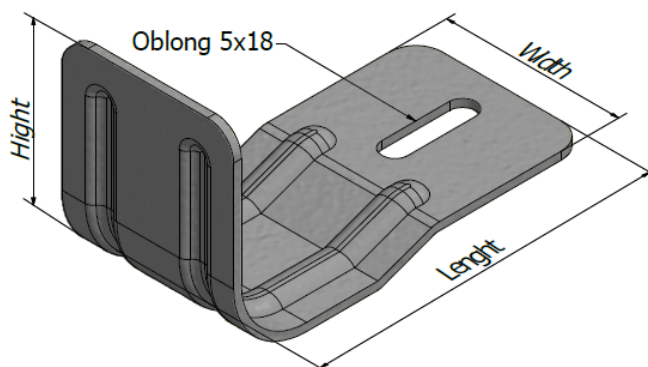
Characteristic strength:	43.97 daN
Note	The above technical characteristics come from analyses on representative samples and are to be considered as typical average values measured on the product and cannot be used as specification values.

Theoretical number of snow stop per m² of roofing:

Roofing		Snow load in daN/m ²									
Slope °	Slope %	50	100	150	200	250	300	350	400	450	500
5°	9%	0,31	0,61	0,92	1,22	1,53	1,83	2,14	2,45	2,75	3,06
10°	18%	0,60	1,21	1,81	2,42	3,02	3,63	4,23	4,83	5,44	6,04
15°	27%	0,89	1,78	2,67	3,56	4,45	5,34	6,22	7,11	8,00	8,89
20°	36%	1,16	2,31	3,47	4,62	5,78	6,93	8,09	9,24	10,40	11,56
25°	47%	1,45	2,90	4,35	5,80	7,26	8,71	10,16	11,61	-	-
30°	58%	1,71	3,42	5,13	6,85	8,56	10,27	11,98	-	-	-
35°	70%	1,96	3,91	5,87	7,83	9,78	11,74	-	-	-	-
40°	84%	2,19	4,39	6,58	8,78	10,97	-	-	-	-	-
45°	100%	2,41	4,82	7,24	9,65	12,06	-	-	-	-	-
50°	119%	2,61	5,22	7,84	10,45	-	-	-	-	-	-
55°	143%	2,80	5,59	8,39	11,18	-	-	-	-	-	-
60°	173%	2,95	5,91	8,86	11,81	-	-	-	-	-	-

- Example: 300 m² of roofing with a slope of 47% or a 25° with a snow load of 100 daN.
The number of snow stop is $2.90 \times 300 \text{ m}^2 = 870$ STOPECO evenly distributed over the entire surface of roofing, preferably staggered, when the density allows it.
- The values in this table include a safety factor of 3.
They are given for informational purposes and must be compared with the rules in force in each locality.

DIMENSIONS



Oblong (mm)	Length (mm)	Width (mm)	Hight (mm)	Thickness (mm)	Code
5 x 18	68	33	40	1.5	170 453

ACCORDANCE

- The minimum density of distribution approximately, seems not to be less than four elements per square meters, according to the guide of the roofing in mountain climate.

MARKING - LABELLING

- STOPECO SLATE hole Ø5x18 Ep.15/10mm + CODE.

QUALITY CONTROL

- ISO 9001 certified quality management system according to the certificate in force.

NOTA

These products are intended for professional installers landlords whose the related service includes supply and installation. In accordance with rules and normative regulation, it's their responsibility to check that the use of these products is in conformity to themselves needs and their customers. They have to insure as well the adequacy of this material with their real operating conditions. The company excludes any guarantee for the use that does not respect these conditions. His responsibility is limited to the strict compliance with the specifications stipulated on the customer's purchase order. The guarantee is limited to the replacement of defective parts acknowledged by the Company's technical service, without workforce costs and travel expenses. It excludes material damage or physical injury and others direct or indirect damages, material or immaterial, which may result from defective parts including installation that not complying with the use for which they are designed and produced.