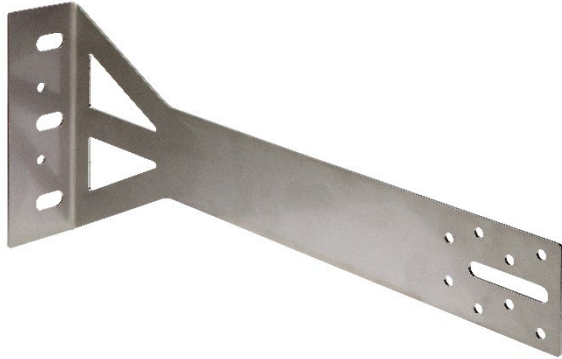


## ISOLCO HP BRACKET STAINLESS STEEL A2



### PRODUCT DEFINITION

- Stainless steel bracket - 20/10<sup>th</sup> mm thickness.
- High Thermal and Mechanical Performance (patented).

### SCOPE OF APPLICATION

- Ventilated facade: For fixing of vertical wood frames or metal frames on masonry.

### MATERIAL & FINISH

#### Material:

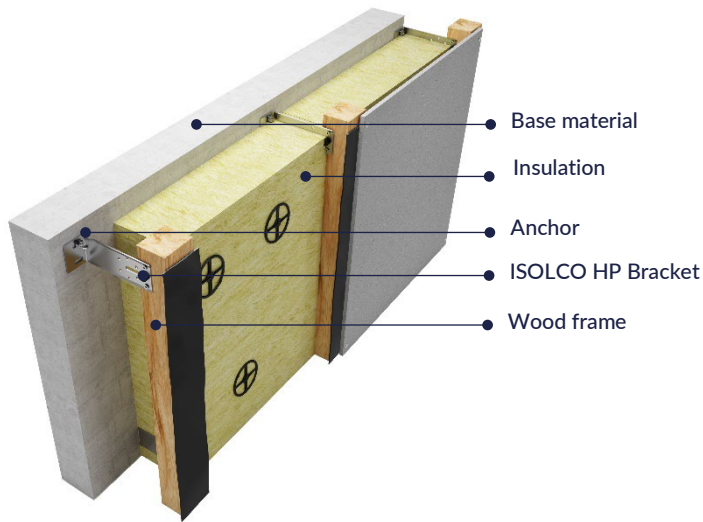
- Bracket: A2 austenitic stainless steel (AISI 304) - 1.4301 according to the NF EN 10088 standard.
  - Bracket: A4 austenitic stainless steel (AISI 316L) - 1.4404 according to the NF EN 10088 standard.
- On request, please contact us.

#### Corrosion resistance:

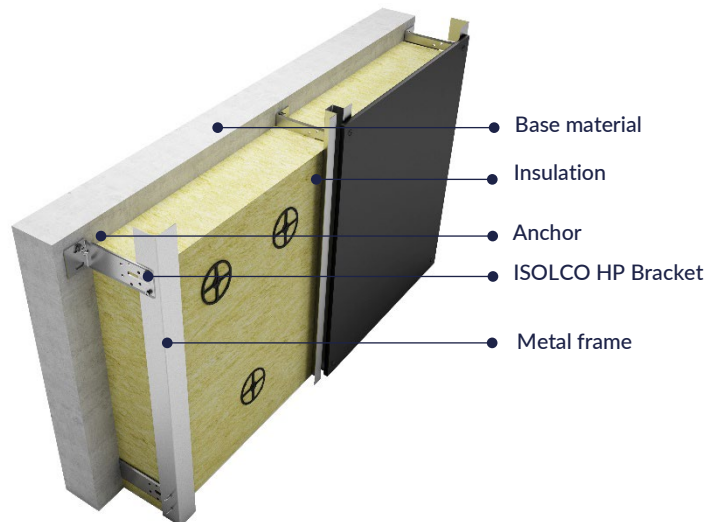
- By Kesternich test according to NF EN ISO 3231:  
Resist to more 30 cycles without the appearance of red rust.
- By salt spray test according to NF EN ISO 9227:  
No trace of red rust after 1000 hours.

## INSTALLATION

### Vertical wood frame system



### Vertical metal frame system



### Recommended fastening:

- Fastening brackets in the base material (2 anchors per bracket to be determined depending on the construction)
  1. Metallic anchors:
    - BARACO/M FM 753 M8 or M10 stainless steel A4\* (refer to TDS n°2079)
    - BARACO/M FM 753 CRACK M8 or M10 Stainless Steel A4\* (refer to TDS n°2080)
    - MP3-S M8 or M10 stainless steel A4\* (refer to TDS N°2105)
  2. Chemical anchors:
    - CHIMFORT KEM H\* or VEA\* + M8 or M10 stainless steel A4\* threaded rod (refer to TDS n° 5000 or 5002 or 5006)
  3. Metal-plastic anchors:
    - MARCOVIS FM-X5 Ø10 TH\* + A4 stainless steel screw\* (refer to TDS n°2201)
    - MARCOVIS FM-X3 Ø10 TH\* + A4 stainless steel screw\* (refer to TDS n°4530)
- (\*) Products with a European Technical Assessment (ETE or ETA) and CE marking.
- Fastening wood frame on bracket:
  - Lag screw TH13 Ø8x50 mm stainless steel A2 (code: 15 234)
  - Washer Ø18xØ8.62x1.5 mm stainless steel A2 (code: 71 289)
  - VBU TF/Pz2 Ø5x40 mm stainless steel A2 so-called blocking (2 minimum) (code: 33 020)
- Fastening metal frame on brackets:
  - GOLDINOX 3.5TDS TH8 Ø5.5x28 mm stainless steel A2 (code: 374 300)
  - Open-type Rivet all stainless steel A2 N.E. Ø4.8x18 mm (code: 273 600)
  - PERFIX TH8 Ø5.5x19 mm on aluminium only (code: 300 468)

### Associated Products:

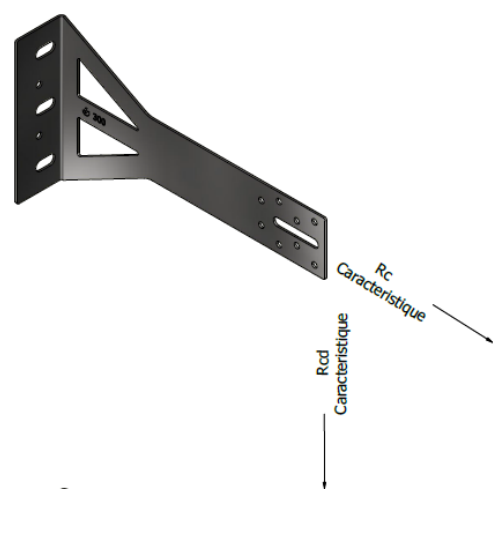
- THERMOSTOP wedge 160x50x3 mm (Refer TDS n°4388)
- L-shaped angles in galvanized steel Z450 (Refer TDS n°4367)
- OMEGA Z450 galvanized steel profiles (Refer TDS n°3052)
- C/U profiles in galvanized steel Z450 (Refer TDS n°3053)

## PERFORMANCE

Characteristic resistance:

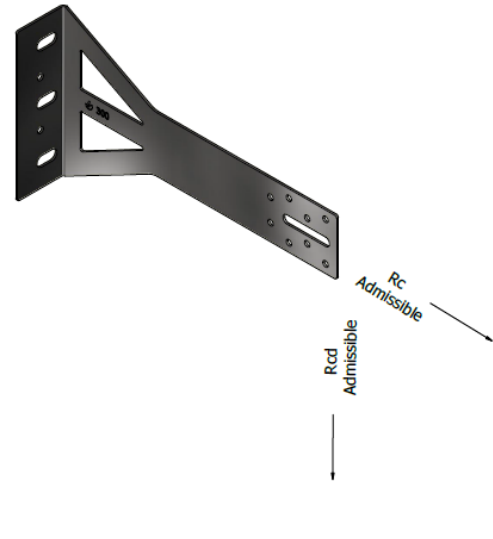
- Characteristic resistances :

CHARACTERISTIC RESISTANCES DETERMINED FROM TESTS OF ANNEXE 2 OF THE CSTB 3316 AND ANNEXE 1 OF THE CSTB 3194			
Length	Vertical loads		Horizontal loads
L. (mm)	Rcd 1 mm (daN)	Rcd 3 mm (daN)	Rc (daN)
180	75,0	95,5	360,0
200	61,0	88,0	
220	50,0	85,5	
240	42,0	76,0	
260	37,5	70,5	
280	30,0	68,0	
300	25,0	66,5	
320	20,6	47,4	
340	15,9	42,3	
360	14,7	40,0	
380	12,5	35,0	
400	11,1	32,5	



- Admissible resistances:

ADMISSIBLE RESISTANCES DETERMINED FROM TESTS OF ANNEXE 2 OF THE CSTB 3316 AND ANNEXE 1 OF THE CSTB 3194			
Length	Vertical loads (Coef. 2.25) <sup>(1)</sup>		Horizontal loads (Coef. 1.67) <sup>(1)</sup>
L. (mm)	Rcd 1 mm (daN)	Rcd 3 mm (daN)	Rc (daN)
180	33,3	42,4	215,6
200	27,1	39,1	
220	22,2	38,0	
240	18,7	33,8	
260	16,7	31,3	
280	13,3	30,2	
300	11,1	29,6	
320	9,2	21,1	
340	7,1	18,8	
360	6,5	17,8	
380	5,6	15,6	
400	4,9	14,4	



(1) The values indicated in the table above are admissible values with a coefficient applied to the characteristic values of 2.25 for vertical loads and 1.67 for horizontal loads. Other coefficients may be applied depending on the configuration of the system (refer to the CSTB specifications)

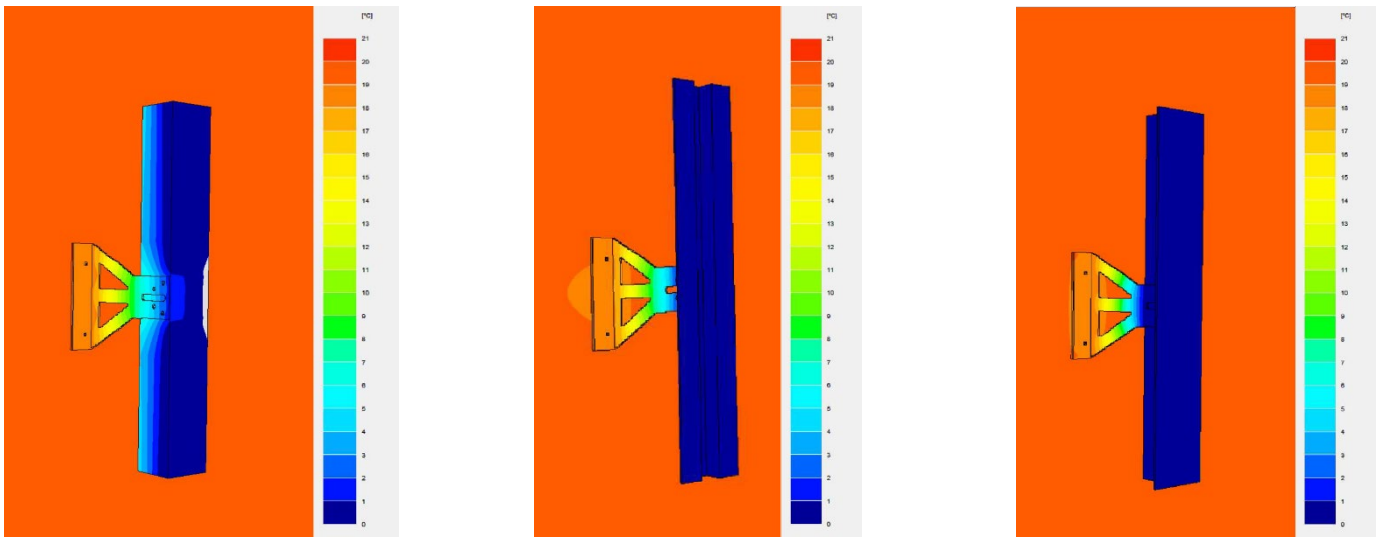
## Thermal performance:

- Next POUGET Consultants Thermal Study n°24C142 carried out on the TRISCO software.

### POINT THERMAL BRIDGES X (W/K) OF ISOLCO HP STAINLESS STEEL BRACKETS

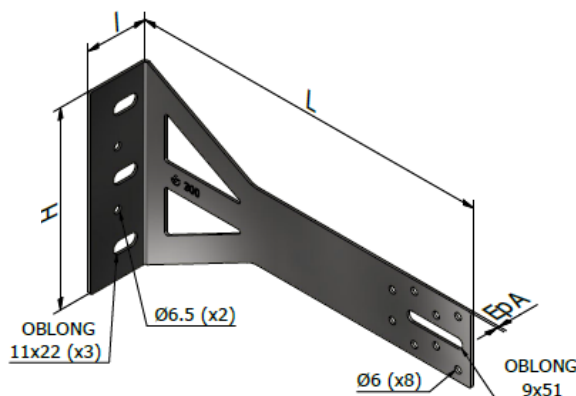
Thermal conductivity of the insulation  $\lambda = 0.029$  to  $0.050$  W/(m.K)

Insulation thickness (mm)	160	200	240	280	300	340	380
With wood frame	0,010	0,008	0,007	0,006	0,006	0,005	0,005
With steel frame	0,012	0,010	0,008	0,007	0,007	0,006	0,005
With aluminium frame	0,017	0,012	0,009	0,008	0,007	0,006	0,006



Isothermal graphic of the bracket (masked insulation)

## DIMENSIONS & CODES



W. (mm)	l. (mm)	H. (mm)	Ep. A (mm)	Code
180	50	160	2	703 473
200				703 474
220				703 475
240				700 922
260				702 722
280				700 923
300				700 924
320				703 751
340	701 117			
360	50	160	2	703 752
380				703 753
400				703 754

L.: Wing length - W.: Heel width - H.: Heel height - Ep. A: Thickness of the wing and heel  
Other lengths on request.

## CONFORMITY

- French standard: DTU 45.4 (up to and including 340 mm length).
- French specifications: CSTB 3316 and 3194.
- Fire reaction: A1 according to NF EN 13501-1.
- The characteristic resistances are the result of tests carried out by the LR ETANCO laboratory.

## MARKING & LABELLING

- On the packaging: ISOLCO HP STAINLESS STEEL BRACKET + LENGTH + CODE.
- On the product: LR + Length.

## QUALITY CONTROL

- ISO 9001 certified quality management system according to the certificate in force.

## NOTA

These products are intended for professional installers landlords whose the related service includes supply and installation. In accordance with rules and normative regulation, it's their responsibility to check that the use of these products is in conformity to themselves needs and their customers. They have to insure as well the adequacy of this material with their real operating conditions. The company excludes any guarantee for the use that does not respect these conditions. His responsibility is limited to the strict compliance with the specifications stipulated on the customer's purchase order. The guarantee is limited to the replacement of defective parts acknowledged by the Company's technical service, without workforce costs and travel expenses. It excludes material damage or physical injury and others direct or indirect damages, material or immaterial, which may result from defective parts including installation that not complying with the use for which they are designed and produced.

Registration date: 28/11/2024 - Revision C

LR ETANCO is a member of:



LR ETANCO - Parc les Érables - Bât. 1 - 66 Route de Sartrouville

78231 Le Pecq Cedex France - [www.etanco.eu](http://www.etanco.eu)

Tel: 01 34 80 52 00 - [commercial.france@etanco.fr](mailto:commercial.france@etanco.fr)