

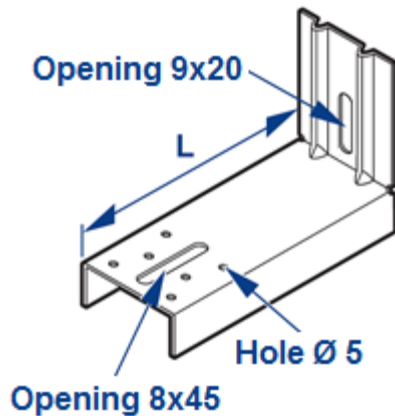
TECHNICAL DATA SHEET n°4359



Manufacturer: ETANCO (FRANCE)

Parc les Erables – Bât 1 – 66 route de Sartrouville – BP 49 – 78231 LE PECQ Cedex
Tel. : +33 (0)1 34 80 52 00 – Fax : +33 (0)1 30 71 01 89

Product name: **KONSOL+** BRACKET FOR FACADE WITH HORIZONTAL FRAMEWORK



Description:

Ribbed and embossed square.
Hole Ø 5 mm and opening Ø8x45 and Ø9x20 mm

Lengths (mm):

60-80-100-120-140-160-180-200
Other lengths on request

Material:

Galvanised steel S220GD Z450 - Thickness 25/10e

Thickness (mm):

25/10°

Characteristic resistance is obtained for each test according to annex 2 of the 3194-V2 CSTB specifications

Bracket length in mm	Vertical load in daN		Horizontal load in daN
	R _{cd} 1mm	R _{cd} 3mm	R _c
60	139	152	298
80	90	106	298
100	60	80	298
120	32	60	298
140	16	55	298
160	10	46	298
180	8	37	298
200	6	30	298

The values given in the table above are characteristic values. To calculate the allowable resistance, it will be necessary to comply with the 3194-V2 CSTB specifications and to apply the appropriate safety coefficient.

Labelling: KONSOL+ + length + code

Quality control: ISO 9001:2015

These products are intended for professional installers/landlords whose related service includes supply and installation. In accordance with rules and normative regulation, it's their responsibility to check that the use of these products is in conformity to themselves needs and their customers. They have to insure as well the adequacy of this material with their real operating conditions. The company excludes any guarantee for the use that does not respect these conditions. His responsibility is limited to the strict compliance with the specifications stipulated on the customer's purchase order. The guarantee is limited to the replacement of defective parts acknowledged by the Company's technical service, without workforce costs and travel expenses. It excludes material damage or physical injury and others direct or indirect damages, material or immaterial, which may result from defective parts including installation that not complying with the use for which they are designed and produced.