

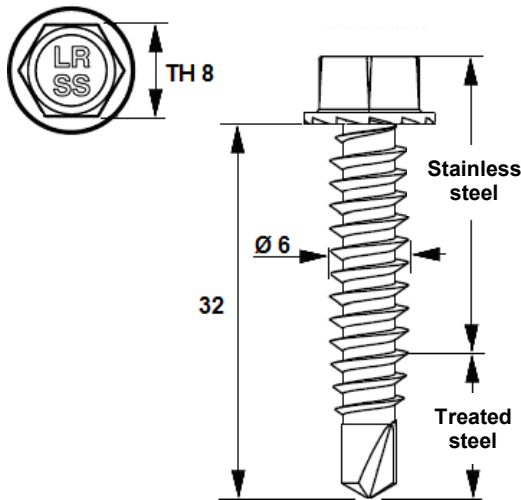
Manufacturer: **ETANCO** (FRANCE)

Parc les Erables – Bât 1 – 66 route de Sartrouville – BP 49 – 78231 LE PECQ Cedex

Tel.: +33 (0)1 34 80 52 00 – Fax: +33 (0)1 30 71 01 89

**Product name**

## DRILLNOX HP 3 TH8 / INOX A4 Ø 6 x 30 mm



**Description**

Self-drilling screw Ø 6 mm bi-metal  
Hexagonal head of 8 mm with notches under collar  
Asymmetric thread - Pitch 2 mm – Drill point

**Drilling capacity CP:** 1,5 to 3 mm into steel

**Length and Assembly Capacity:**

Ø x L	CS mini	CA maxi
6 x 30	4	15

CS : Capacity of tightening - CA : Assembly capacity

**Material, coating and test of corrosion resistance:**

Austenitic stainless steel A4 AISI 316 L  
> 30 KESTERNICH cycles according to NF EN 3231 (2I)  
(Conformity: class 2 UEAtc)

Salt spray test according to NF ISO 9227  
No trace of red rust after 1000 hours

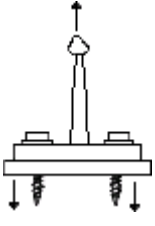
**Application**

Roofing systems (KAL-ZIP type)

**Pull out test values Pk in daN**

Test wit 2 screws

Mounting plate	Support thickness (mm)
KAL-ZIP system	1,5 mm (steel S320)
606 daN	



**Recommended tool:**

Screwing toll FEIN SCS 6.3 -19X power 400 W mini with torque limiter and depth control  
Screw Tip : socket with 8 mm imprint hex head hollow

**Marking:**

On product:  
LR SS  
On packaging:  
DRILLNOX HP 3 TH8 / A4 – Ø 6 x 30 + code

**Quality control:**

Linear